

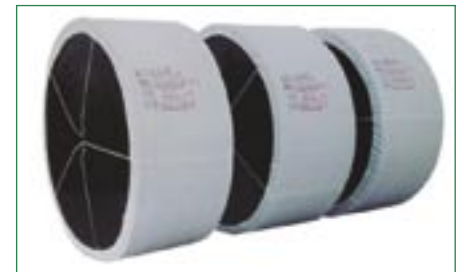
## Product Information Sheet

### Conveyor Belt

As part of Reliable Conveyor Belt's full maintenance service, we are pleased to offer Conveyor Belting to our clients. Reliable carries a large range of stock to ensure swift turnaround on all orders.

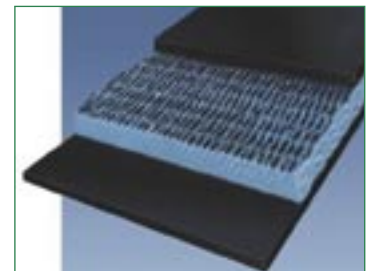
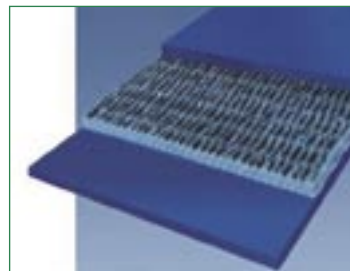
Our range includes:

- ☛ Rubber Ply Belting, grades including M, N, A, Heat Resistant, S (Fras), F
- ☛ Ranging in ply from 1ply upwards including Crows Foot Weave
- ☛ Up to 2500mm in width
- ☛ Available with Rip Detection
- ☛ Strengths range from PN100 – PN500
- ☛ All belts to AS1332-2000 Australian Standard
- ☛ All lengths available on request



#### Solid Woven Belting

- ☛ Underground approved
- ☛ Covers include PVC and Nitrile
- ☛ Up to 1600mm in width
- ☛ Strengths range from 5000 Series to 10000 Series
- ☛ All belts to Australian Standard
- ☛ All lengths available on request



#### Steel Cord Belting

- ☛ Grades including M, N, A, Heat Resistant, S (Fras), F
- ☛ Strengths up to ST7000
- ☛ Up to 3000m in width
- ☛ Available with Rip Detection and Breaker Fabrics
- ☛ All belts to AS1333 1994 Australian Standard
- ☛ All lengths available on request

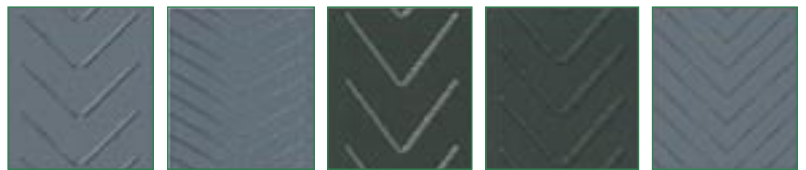


## Product Information Sheet

### Conveyor Belt

#### Industrial & Speciality Belting

- ☛ Roughtop
- ☛ Heat Resistant
- ☛ Cleated
- ☛ Elevator
- ☛ PVC
- ☛ Chevron
- ☛ Food Grade and many more





Quality  
Endorsed  
Company



## Product Information Sheet

### Conveyor Belt

#### Modular Conveyors

Full range of modular conveyors that can be supplied in different widths, lengths and angles to suit your needs.



#### Belt Selection

Reliable can assist in selecting the right belt for your system and application. This includes check of pulley diameters, transition lengths, counterweight tensions and transfer and loading areas.



Newcastle

Ph (02) 4967 6077

Fax (02) 4960 1784

Muswellbrook

Ph (02) 6541 5088

Fax (02) 6541 5099

Mudgee

Ph (02) 6372 2865

Fax (02) 6372 2646

Parkes

Ph (02) 6863 4808

Fax (02) 6863 4809

Orange

Ph (02) 6361 1443

Fax (02) 6361 1229

Gladstone

Ph (07) 4972 5566

Fax (07) 4972 6566



## Product Information Sheet

### Skirt Rubber

As part of Reliable Conveyor Belt's full maintenance service we are pleased to be able to offer Skirt Rubber to our clients. We carry a large range of stock to ensure swift turnaround on all orders and our range includes:

PRODUCT	WIDTHS					
12mm Natural	100mm	150mm	200mm	250mm	300mm	350mm
19mm Natural	100mm	150mm	200mm	250mm	300mm	350mm
12mm Fras	100mm	150mm	200mm	250mm	300mm	350mm
19mm Fras	100mm	150mm	200mm	250mm	300mm	350mm

- These products are available in lengths up to 30metres.
- Other sizes up to 1500mm in width are available on request.
- Please contact your nearest branch for pricing.

#### Skirting Systems and Transfer Solutions

Reliable can also supply Skirting Systems, Impact Beds and Slider Bars on request.



Newcastle

Ph (02) 4967 6077

Fax (02) 4960 1784

Muswellbrook

Ph (02) 6541 5088

Fax (02) 6541 5099

Mudgee

Ph (02) 6372 2865

Fax (02) 6372 2646

Parkes

Ph (02) 6863 4808

Fax (02) 6863 4809

Orange

Ph (02) 6361 1443

Fax (02) 6361 1229

Gladstone

Ph (07) 4972 5566

Fax (07) 4972 6566



Quality  
Endorsed  
Company



## Product Information Sheet

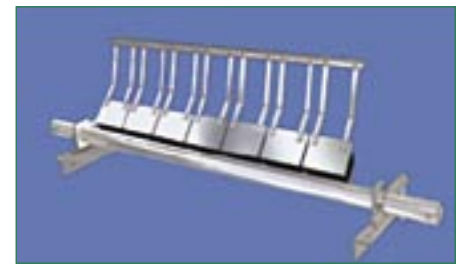
### 'H' Series Cleaner - Tungsten

#### Function

By removing coarse materials and the major volume of product remaining on the conveyor after discharge, the 'H' Series cleaner prevents overloading of secondary cleaners and places the removed product back into the product flow.

#### Advantages

- > Removes up to 75% of material remaining on the conveyor belt after load discharge.
- > Enables the effective operation of the secondary cleaner by preventing overload.
- > Frees the Secondary cleaner to remove fine materials that cling to the belt building up on rollers and structure.
- > Razer Industries is a 100% Australian owned and operated company.
- > Full stainless steel construction including Tungsten Carbide Tip Holders, Cushion Plates and Fasteners.
- > Key components are Investment Cast in stainless steel to ensure uniformity of dimensions and a consistently high standard of quality.
- > Features the Razer Stainless Steel holder for the Tungsten Carbide cleaning tips as standard. This minimises tip failure due to corrosion/erosion from product borne acids.
- > Is available with Razer MonoArm™ Polyurethane blades for damaged or worn belts.
- > Features the Razer Universal mounting bracket for ease of installation and minimum spares stocking requirements.



#### Applications

- > Use as an individual Belt Cleaner or as a component of a complete cleaning system.
- > Is designed for use on single direction or reversing conveyors.



Newcastle

Ph (02) 4967 6077  
Fax (02) 4960 1784

Muswellbrook

Ph (02) 6541 5088  
Fax (02) 6541 5099

Mudgee

Ph (02) 6372 2865  
Fax (02) 6372 2646

Parkes

Ph (02) 6863 4808  
Fax (02) 6863 4809

Orange

Ph (02) 6361 1443  
Fax (02) 6361 1229

Gladstone

Ph (07) 4972 5566  
Fax (07) 4972 6566



Quality  
Endorsed  
Company



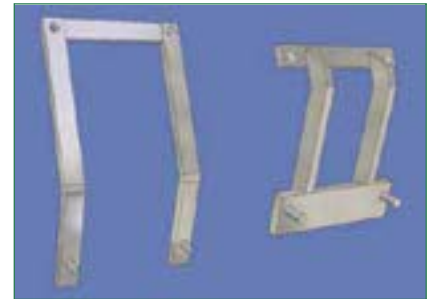
## Product Information Sheet

### 'H' Series Cast Suspension Arms

#### Function

To support Tungsten Carbide Cleaning Tips on 'H' Series belt cleaners.

- > Locates the Cleaner tips correctly relative to pulley diameter and cleaner pole position.
- > Enables the cleaner tips to function independently when compensating for pulley run out and variations in belt thickness.



#### Advantages

For over 20 years, suspension arms for 'H' Series primary cleaners have been produced using conventional fabrication methods. This has led to variables in manufacture and created difficulties when aligning the cleaner tips during assembly and maintenance.

Razer has now introduced the technology of 'Lost Wax' casting into the production of this important component resulting in a consistent product that eliminates the variables and retains all the advantages of the fabricated component.

- > Razer Industries is a 100% Australian owned and operated company.
- > Razer Cast Suspension Arms are available in either conventional or heavy duty configuration.
- > Razer Cast Suspension Arms are manufactured from grade 304 stainless steel to eliminate corrosion and are available in both standard and heavy-duty versions.
- > Razer Cast Suspension Arms are supplied with stainless steel fasteners and 'Nyloc' Nuts.
- > Razer Cast Suspension Arms are interchangeable with those of Primary 'H' Series cleaners fabricated by others.
- > Razer Cast Suspension Arms reduce maintenance costs by reducing time spent on the alignment of the cleaning tips.

#### Applications

- > For all Razer 'H' Series primary belt cleaners.
- > For replacement of fabricated suspension arms supplied by others.



Newcastle

Ph (02) 4967 6077  
Fax (02) 4960 1784

Muswellbrook

Ph (02) 6541 5088  
Fax (02) 6541 5099

Mudgee

Ph (02) 6372 2865  
Fax (02) 6372 2646

Parkes

Ph (02) 6863 4808  
Fax (02) 6863 4809

Orange

Ph (02) 6361 1443  
Fax (02) 6361 1229

Gladstone

Ph (07) 4972 5566  
Fax (07) 4972 6566



Quality  
Endorsed  
Company



## Product Information Sheet

### Belt Cleaner Tips - Tungsten 'T' Tip

#### Function

To remove fugitive material remaining on the conveyor belt after the load has been discharged.

- > Prevent build up on terminal pulleys.
- > Prevent material building up on conveyor structure which causes corrosion.
- > Provides a safer and cleaner working environment.
- > Reduces loss of product.
- > Adds to plant profitability.



#### Advantages

The Razer 'T' Tip is designed for use on 'H' Series belt cleaners in highly abrasive environments where the tip body and mounting studs are subjected to excessive wear.

- > Tips are 100% interchangeable with competitor's components.
- > The Tip Body is modified to accept a second row of Tungsten Carbide Tiles that protect the body, mounting studs and the top edge of the supporting suspension arm thus preventing wear.
- > Tungsten Carbide provides long service life with a high level of resistance to impact damage and/or acid leaching.
- > Razer does not plate or apply coatings to our Stainless Steel / Tungsten Tips. Powder Coated, painted and plated tips can hide manufacturing flaws.
- > Stainless Steel Holders won't corrode as with painted or plated mild steel holders.
- > Razer Belt Cleaner Tips offer significant commercial advantage over lesser quality product.

#### Applications

- > Recommended for use on Spliced Belts with good belt cover condition where abrasion is wearing away tip studs.
- > Should not be used on belts running mechanical fasteners. For these applications, see Razer information sheet for MonoArm™ cleaner tips.



Newcastle

Ph (02) 4967 6077  
Fax (02) 4960 1784

Muswellbrook

Ph (02) 6541 5088  
Fax (02) 6541 5099

Mudgee

Ph (02) 6372 2865  
Fax (02) 6372 2646

Parkes

Ph (02) 6863 4808  
Fax (02) 6863 4809

Orange

Ph (02) 6361 1443  
Fax (02) 6361 1229

Gladstone

Ph (07) 4972 5566  
Fax (07) 4972 6566

**Newcastle**

Ph (02) 4967 6077  
Fax (02) 4960 1784

**Muswellbrook**

Ph (02) 6541 5088  
Fax (02) 6541 5099

**Mudgee**

Ph (02) 6372 2865  
Fax (02) 6372 2646

**Parkes**

Ph (02) 6863 4808  
Fax (02) 6863 4809

**Orange**

Ph (02) 6361 1443  
Fax (02) 6361 1229

**Gladstone**

Ph (07) 4972 5566  
Fax (07) 4972 6566

## 'H' Series Replacement Component

Ref	Description	Part No. RBC	Wt Kg's	Pole Length
1	'H' Series Stainless Steel Poles	HP0500	5.08	1000
		HP0600	6.00	1100
		HP0750	6.61	1250
		HP0900	9.68	1400
		HP1050	11.29	1600
		HP1200	12.89	1800
		HP1400	15.04	2100
		HP1500	15.58	2200
		HP1600	16.10	2200
		HP1800	26.21	2500
2	'H' Cushion			
	SS/Rubber	HC200S	1.97	
3	'H' Tips			
	Tungsten Tip	HT200S	0.39	
	'T' Type Tip	HT200ST	0.65	
4	MonoArm™ Polyurethane Tip/Arm Set	HUSS	1.33	
		HUS	1.55	
		HUM	1.69	
		HUL	1.83	
5	Cast 'H' Stainless Steel Standard Suspension Arms	HASS	0.60	
		HAS	0.80	
		HAM	0.96	
		HAL	1.05	
		HALL	1.36	
	Cast 'H' Stainless Steel <b>Heavy Duty</b> Suspension Arms	HASS-HD	1.07	
		HAS-HD	1.31	
		HAM-HD	1.41	
		HAL-HD	1.50	
		HALL-HD	1.80	

Ref	Description	Part No. RBC	Wt Kg's
6	'H' Deflectors	HDEF	0.39
7	Adjuster Arm	AA48	1.11
		AA60	1.18
		AA73	1.29
8	Bearings	HB48	0.69
		HB60	0.92
		HB73	0.98
9	Universal Mounting Bracket	UMB	2.16
Complete Bearing Assemblies	H48BA	4.08	
	H60BA	4.36	
	H73BA	4.54	

Please note:

- > All prices exclude GST.
- > All prices are FOT Warners Bay NSW.
- > Alternative finishes are available on request.
- > All metal components are 304 grade Stainless Steel.
- > Heavy duty available by request.



**Newcastle**

Ph (02) 4967 6077  
Fax (02) 4960 1784

**Muswellbrook**

Ph (02) 6541 5088  
Fax (02) 6541 5099

**Mudgee**

Ph (02) 6372 2865  
Fax (02) 6372 2646

**Parkes**

Ph (02) 6863 4808  
Fax (02) 6863 4809

**Orange**

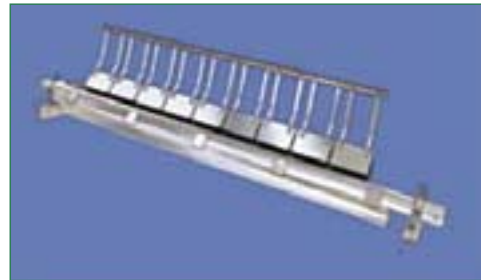
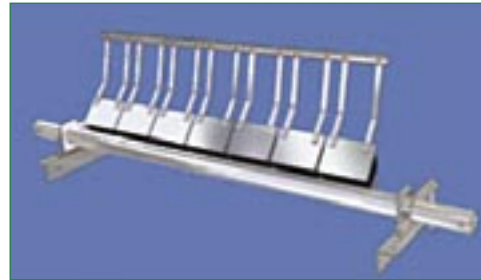
Ph (02) 6361 1443  
Fax (02) 6361 1229

**Gladstone**

Ph (07) 4972 5566  
Fax (07) 4972 6566

## 'H' Series Tungsten Belt Cleaners

Belt Width mm Pole Length X Dia	Arm Size	Razer Part No. RTBC-	WT Kg's	Tip Assy's
450 1000 X 48	HASS	H500X400-SS	25.3	2
	HAS	H500X400-S	25.7	2
	HAM	H500X400-M	26.1	2
600 1100 X 48	HASS	H600X600-SS	29.0	3
	HAS	H600X600-S	29.5	3
	HAM	H600X600-M	30.1	3
750 1250 X 48	HASS	H750X600-SS	30.0	3
	HAS	H750X600-S	30.6	3
	HAM	H750X600-M	31.1	3
900 1400 X 60	HASS	H900X800-SS	33.7	4
	HAS	H900X800-S	34.4	4
	HAM	H900X800-M	35.0	4
1050 1600 X 60	HAL	H900X800-L	35.9	4
	HASS	H1050X1000-SS	44.6	5
	HAS	H1050X1000-S	45.5	5
Dual Pole 1050 1600 X 60	HAM	H1050X1000-M	46.4	5
	HAL	H1050X1000-L	47.4	5
	HAS	DPH1050X1000-S	56.7	5
1200 1800 X 60	HAM	DPH1050X1000-M	57.6	5
	HAL	DPH1050X1000-L	58.5	5
	HALL	DPH1050X1000-LL	59.9	5
Dual Pole 1200 1800 X 60	HASS	H1200X1200-SS	41.0	6
	HAS	H1200X1200-S	42.1	6
	HAM	H1200X1200-M	43.0	6
1500/1400 2200 X 60	HAL	H1200X1200-L	43.9	6
	HAS	DPH1200X1200-S	60.4	6
	HAM	DPH1200X1200-M	61.3	6
Dual Pole 1500/1400 2200 X 60	HAL	DPH1200X1200-L	62.3	6
	HALL	DPH1200X1200-LL	63.4	6
	HAS	H1500X1400-S	51.5	7
1600 2200 X 60	HAM	H1500X1400-M	52.7	7
	HAL	H1500X1400-L	54.0	7
	HALL	H1500X1400-LL	55.3	7
Dual Pole 1600 2200 X 60	HAS	DPH1500X1400-S	67.5	7
	HAM	DPH1500X1400-M	68.8	7
	HAL	DPH1500X1400-L	70.0	7
1800 2500 X 73	HALL	DPH1500X1400-LL	71.4	7
	HAS	H1600X1600-S	52.5	8
	HAM	H1600X1600-M	55.0	8
Dual Pole 1800 2500 X 73	HAL	H1600X1600-L	56.0	8
	HALL	H1600X1600-LL	57.0	8
	HAS	DPH1600X1600-S	70.0	8
Dual Pole 2000 2900 X 73	HAM	DPH1600X1600-M	72.3	8
	HAL	DPH1600X1600-L	73.8	8
	HALL	DPH1600X1600-LL	75.0	8
1800 2500 X 73	HAS	H1800X1800-S	56.3	9
	HAM	H1800X1800-M	57.8	9
	HAL	H1800X1800-L	59.3	9
Dual Pole 2000 2900 X 73	HALL	H1800X1800-LL	60.8	9
	HAS	HDH1800X1800-S	73.6	9
	HAM	DPH1800X1800-M	75.1	9
Dual Pole 2200 3100 X 73	HAL	DPH1800X1800-L	76.5	9
	HALL	DPH1800X1800-LL	78.0	9
	HAS	DPH2000X2000-S	80.0	10
Dual Pole 2400 3300 X 73	HAM	DPH2000X2000-M	82.1	10
	HAL	DPH2000X2000-L	83.9	10
	HALL	DPH2000X2000-LL	86.6	10
Dual Pole 3000 4000 X 73	HAS	DPH2200X2200-S	93.3	11
	HAM	DPH2200X2200-M	95.1	11
	HAL	DPH2200X2200-L	97.0	11
Dual Pole 2400 3300 X 73	HALL	DPH2200X2200-LL	98.9	11
	HAS	DPH2400X2400-S	98.3	12
	HAM	DPH2400X2400-M	99.1	12
Dual Pole 3000 4000 X 73	HAL	DPH2400X2400-L	100.0	12
	HALL	DPH2400X2400-LL	101.8	12
	HAS	DPH3000X3000-S	105.0	15
Dual Pole 2400 3300 X 73	HAM	DPH3000X3000-M	106.8	15
	HAL	DPH3000X3000-L	107.4	15
	HALL	DPH3000X3000-LL	110.1	15



### Suspension Arm Size

Head Pulley Diameter + Belt & Lagging mm	Suspension Arm Size
250 - 499	HASS
500 - 779	HAS
800 - 999	HAM
1000 - 1199	HAL
1200 - 1700	HALL

Please note:

- > Dual Poles are included as standard on Cleaners as marked.
- > These cleaners CAN be used on Vulcanised Spliced belts ONLY.

All prices are:

- > Recommended List price in Australian Dollars.
- > Based on Ex Works delivery Warners Bay Australia.
- > Based on standard stainless steel Razer product. Alternative materials are available by request.



Quality  
Endorsed  
Company



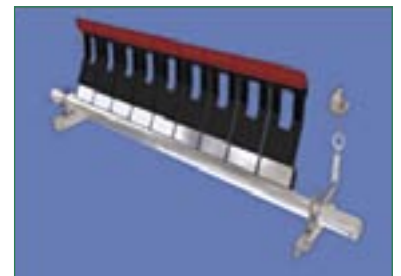
## Product Information Sheet

### 'Poly' Series Belt Cleaner

#### Function

For damaged belts and/or belts using mechanical fasteners to remove course product from the belt at the point of discharge retaining that product within the confines of the discharge chute.

- > Absorbs impact from clips, fasteners and general belt damage.
- > Removes up to 75% of material remaining on the conveyor belt after load discharge.
- > Enables the effective operation of the secondary cleaners by preventing them being overloaded.
- > Frees Secondary cleaners to remove fine materials that cling to rollers and structure.



#### Advantages

By removing course materials and the major volume of product remaining on the conveyor after discharge, the 'Poly' Series cleaner prevents overloading of secondary cleaners and places the removed product back into the flow.

- > Razer Industries is a 100% Australian owned and operated company.
- > Full stainless steel construction including Cushion Plates and Fasteners.
- > Features the Razer MonoArm™ Razerthane blades for damaged or worn belts.
- > Optionally available fitted with Tungsten Infused MonoArm™ blades for longer service life.
- > Features the Razer Universal mounting bracket for ease of installation and minimum spares stocking requirements.
- > Are fitted with the Razer Tensioning System to provide automatic adjustment.

#### Applications

- > Use an individual Belt Cleaner or as a component of a complete cleaning system.
- > Is designed for use on single direction or reversing conveyors.



Newcastle

Ph (02) 4967 6077  
Fax (02) 4960 1784

Muswellbrook

Ph (02) 6541 5088  
Fax (02) 6541 5099

Mudgee

Ph (02) 6372 2865  
Fax (02) 6372 2646

Parkes

Ph (02) 6863 4808  
Fax (02) 6863 4809

Orange

Ph (02) 6361 1443  
Fax (02) 6361 1229

Gladstone

Ph (07) 4972 5566  
Fax (07) 4972 6566



Quality  
Endorsed  
Company



## Product Information Sheet

### MonoArm™ Cleaner Tips

#### Function

To remove fugitive material remaining on the conveyor belt after the load has been discharged.

- > Prevent build up on terminal pulleys.
- > Prevent material building up on conveyor structure which causes corrosion.
- > Provides a safer and cleaner working environment.
- > Reduces loss of product.
- > Adds to plant profitability.

#### Advantages

- > Razer Industries is 100% Australian owned and operated company.
- > Molecular Fusion rather than mechanical bonding is used to combine two specific grades of urethane into a single component. Abrasion life is provided by the urethane grade used at the belt/tip interface. Impact absorption is provided by another urethane grade in the supporting arms.
- > Fully cast rather than injection moulded. Thus retaining all of the abrasion resistant properties of Polyurethane.
- > Field Trials have proven that Razer MonoArm™ Belt Cleaner Tips provide greater life compared to other similar components.
- > Provides high standards of belt cleaning over longer periods thereby reducing maintenance and replacement costs.
- > Designed to accommodate the installation of mechanical fasteners and belt repair fasteners in the conveyor belt and won't propagate existing belt damage.

#### Applications

- > For badly worn, damaged or mechanically spliced or repaired conveyor belts.



Newcastle

Ph (02) 4967 6077  
Fax (02) 4960 1784

Muswellbrook

Ph (02) 6541 5088  
Fax (02) 6541 5099

Mudgee

Ph (02) 6372 2865  
Fax (02) 6372 2646

Parkes

Ph (02) 6863 4808  
Fax (02) 6863 4809

Orange

Ph (02) 6361 1443  
Fax (02) 6361 1229

Gladstone

Ph (07) 4972 5566  
Fax (07) 4972 6566

**Newcastle**

Ph (02) 4967 6077  
Fax (02) 4960 1784

**Muswellbrook**

Ph (02) 6541 5088  
Fax (02) 6541 5099

**Mudgee**

Ph (02) 6372 2865  
Fax (02) 6372 2646

**Parkes**

Ph (02) 6863 4808  
Fax (02) 6863 4809

**Orange**

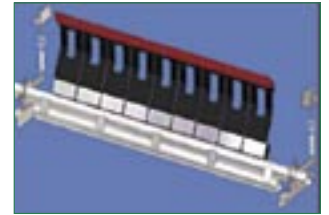
Ph (02) 6361 1443  
Fax (02) 6361 1229

**Gladstone**

Ph (07) 4972 5566  
Fax (07) 4972 6566

## 'H' Series Polyurethane Belt Cleaners

Belt Width mm Pole Length X Dia	Arm Size	Razer Part No. RTBC-	WT Kg's	Tip Assy's
450 1000 X 48	HUSS	H500X400-SS	29.5	2
	HUS	H500X400-S	29.5	2
	HUM	H500X400-M	29.7	2
600 1100 X 48	HUSS	H600X600-SS	34.1	3
	HUS	H600X600-S	34.4	3
	HUM	H600X600-M	34.4	3
750 1250 X 48	HUSS	H750X600-SS	35.0	3
	HUS	H750X600-S	35.5	3
	HUM	H750X600-M	35.9	3
900 1400 X 60	HUSS	H900X800-SS	39.4	4
	HUS	H900X800-S	39.4	4
	HUM	H900X800-M	41.6	4
	HUL	H900X800-L	42.2	4
1050 1600 X 60	HUSS	H1050X1000-SS	47.2	5
	HUS	H1050X1000-S	47.9	5
	HUM	H1050X1000-M	48.4	5
	HUL	H1050X1000-L	49.3	5
Dual Pole 1050 1600 X 60	HUS	DPH1050X1000-S	68.5	5
	HUM	DPH1050X1000-M	68.9	5
	HUL	DPH1050X1000-L	69.8	5
1200 1800 X 60	HUSS	H1200X1200-SS	49.5	6
	HUS	H1200X1200-S	49.5	6
	HUM	H1200X1200-M	49.9	6
	HUL	H1200X1200-L	50.7	6
Dual Pole 1200 1800 X 60	HUS	DPH1200X1200-S	69.8	6
	HUM	DPH1200X1200-M	70.4	6
	HUL	DPH1200X1200-L	71.3	6
1500/1400 2200 X 60	HUS	H1500X1400-S	60.0	7
	HUM	H1500X1400-M	60.6	7
	HUL	H1500X1400-L	61.8	7
Dual Pole 1500/1400 2200 X 60	HUS	DPH1500X1400-S	80.7	7
	HUM	DPH1500X1400-M	81.2	7
	HUL	DPH1500X1400-L	82.4	7
1600 2200 X 60	HUS	H1600X1600-S	62.0	8
	HUM	H1600X1600-M	62.0	8
	HUL	H1600X1600-L	62.5	8
Dual Pole 1600 2200 X 60	HUS	DPH1600X1600-S	82.2	8
	HUM	DPH1600X1600-M	83.2	8
	HUL	DPH1600X1600-L	84.0	8
1800 2500 X 73	HUS	H1800X1800-S	66.3	9
	HUM	H1800X1800-M	66.3	9
	HUL	H1800X1800-L	67.3	9
Dual Pole 1800 2500 X 73	HUS	HDH1800X1800-S	88.0	9
	HUM	DPH1800X1800-M	88.0	9
	HUL	DPH1800X1800-L	89.5	9
Dual Pole 2000 2900 X 73	HUS	DPH2000X2000-S	95.0	10
	HUM	DPH2000X2000-M	95.0	10
	HUL	DPH2000X2000-L	95.9	10
Dual Pole 2200 3100 X 73	HUS	DPH2200X2200-S	96.9	11
	HUM	DPH2200X2200-M	97.1	11
	HUL	DPH2200X2200-L	97.5	11
Dual Pole 2400 3300 X 73	HUS	DPH2400X2400-S	98.9	12
	HUM	DPH2400X2400-M	98.9	12
	HUL	DPH2400X2400-L	99.6	12
Dual Pole 3000 4000 X 73	HUS	DPH3000X3000-S	111.0	15
	HUM	DPH3000X3000-M	111.0	15
	HUL	DPH3000X3000-L	113.8	15



### Suspension Arm Size

Head Pulley Diameter + Belt & Lagging mm	Suspension Arm Size
250 - 499	HUSS
500 - 779	HUS
800 - 999	HUM
1000 - 1199	HUL

Please note:

- > These cleaners are inclusive of spring tensioning systems.
- > Single Side Tensioners for up to and including 900mm belt width.
- > Double Side Tensioners above 900mm belt width.
- > Dual Poles are included as standard on Cleaners as marked.
- > These cleaners CAN be used on Vulcanised Spliced belts ONLY.

All prices are:

- > Recommended List price in Australian Dollars.
- > Based on Ex Works delivery Warners Bay Australia.
- > Based on standard stainless steel Razer product. Alternative materials are available by request.





Quality  
Endorsed  
Company



## Product Information Sheet

### 'E' Series Belt Cleaner

#### Function

The Razer Industries 'E' Series belt cleaner is designed to provide cost effective belt cleaning for slow moving belts where potential for damage is high and operating costs pose an ongoing problem.

The 'E' Series cleaner is fitted with MonoArm (Razerthane™) belt cleaning tips and automatic adjustment via Spring Tension Assemblies.

While individual tips accommodate inconsistent belt thickness via the MonoArm tip, the Automatic Tension system provides adjustment to the full cleaner.



#### Advantages

- > Razer Industries is 100% Australian owned and operated company.
- > Easily installed and requires only minimal maintenance.
- > Maintains cleaner tip to belt contact pressure for the life of the tip eliminating the need for cleaner servicing other than for tip replacement. A significant reduction to the cleaner's cost of ownership.
- > Minimises impact on cleaner tips from Mechanical Belt Fasteners and allows the cleaner to spring back to the correct tension immediately the fastener has passed.
- > Reduces the cost of clean up around the conveyor by maintaining optimum tip contact pressure at all times.

#### Applications

- > The 'E' Series Cleaner is a primary Scalping Cleaner and can be used on either Bi-Direction or single direction conveyors where initial purchase cost is the primary consideration.



Newcastle

Ph (02) 4967 6077  
Fax (02) 4960 1784

Muswellbrook

Ph (02) 6541 5088  
Fax (02) 6541 5099

Mudgee

Ph (02) 6372 2865  
Fax (02) 6372 2646

Parkes

Ph (02) 6863 4808  
Fax (02) 6863 4809

Orange

Ph (02) 6361 1443  
Fax (02) 6361 1229

Gladstone

Ph (07) 4972 5566  
Fax (07) 4972 6566

**Newcastle**

 Ph (02) 4967 6077  
Fax (02) 4960 1784

**Muswellbrook**

 Ph (02) 6541 5088  
Fax (02) 6541 5099

**Mudgee**

 Ph (02) 6372 2865  
Fax (02) 6372 2646

**Parkes**

 Ph (02) 6863 4808  
Fax (02) 6863 4809

**Orange**

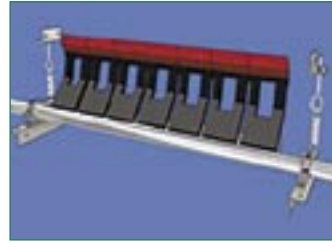
 Ph (02) 6361 1443  
Fax (02) 6361 1229

**Gladstone**

 Ph (07) 4972 5566  
Fax (07) 4972 6566

## 'H' Series 'E' Type with 'MonoArm™' Tips

Belt Width (mm)	Arm Size	Razer Part No. REBC-	Wt Kg's	Tip Assy's
<b>Pole Length x Dia</b>				
<b>450 1000 X 48</b>	HUSS	H0500X0400-SS	24.0	2
	HUS	H0500X0400-S	24.2	2
	HUM	H0500X0400-M	24.7	2
	HUL	H0500X0400-L	25.0	2
<b>600 1100 X 48</b>	HUSS	H0600X0600-SS	25.2	3
	HUS	H0600X0600-S	25.7	3
	HUM	H0600X0600-M	26.1	3
	HUL	H0600X0600-L	26.4	3
<b>750 1250 X 48</b>	HUSS	H0750X0600-SS	28.2	3
	HUS	H0750X0600-S	28.7	3
	HUM	H0750X0600-M	29.0	3
	HUL	H0750X0600-L	29.1	3
<b>900 1400 X 60</b>	HUSS	H0900X0800-SS	32.1	4
	HUS	H0900X0800-S	32.4	4
	HUM	H0900X0800-M	33.1	4
	HUL	H0900X0800-L	33.5	4
<b>1050 1600 X 60</b>	HUSS	H1050X1000-SS	36.2	5
	HUS	H1050X1000-S	36.5	5
	HUM	H1050X1000-M	36.9	5
	HUL	H1050X1000-L	37.2	5
<b>1200 1800 X 60</b>	HUSS	H1200X1200-SS	41.0	6
	HUS	H1200X1200-S	41.7	6
	HUM	H1200X1200-M	42.5	6
	HUL	H1200X1200-L	43.1	6



### Suspension Arm Size

Head Pulley Diameter + Belt & Lagging mm	Suspension Arm Size
250 - 499	HUSS
500 - 779	HUS
800 - 999	HUM
1000 - 1199	HUL

Please note:

- > All units feature the Razer MonoArm™ Polyurethane Cleaner Tip.
- > These cleaners are inclusive of spring tensioning systems.
- > Single Side Tensioners for up to and including 900mm belt width.
- > Double Side Tensioners above 900mm belt width.
- > All units are grade 304 stainless steel (excluding springs).
- > Dual Poles are included as standard on Cleaners as marked.
- > These cleaners CAN be used on Vulcanised Spliced belts ONLY.

All prices are:

- > Recommended List price in Australian Dollars.
- > Based on Ex Works delivery Warners Bay Australia.
- > Based on standard stainless steel Razer product. Alternative materials are available by request.



Quality  
Endorsed  
Company



## Product Information Sheet

### Automatic 'H' Series Adjuster

#### Function

The Razer Industries Automatic Tensioning System for 'H' Series belt cleaners is designed to provide automatic adjustment to belt cleaners that are fitted with MonoArm (Razerthane™) belt cleaning tips.

While individual tips accommodate inconsistent belt thickness via the cushion mounts, the Automatic Tension system provides adjustment to the full cleaner.

May also be used with Tungsten Carbide cleaner tips.



#### Advantages

Because Polyurethane wears at a faster rate than Tungsten Carbide, automatic adjustment of belt cleaner tension is desirable. Air and Hydraulic adjusting mechanisms will frequently develop leaks and rubber placed in tension will develop compression set after a period of time.

- > Razer Industries is 100% Australian owned and operated company.
- > Easily installed and requires no maintenance.
- > Can be installed onto existing Razer cleaners without modification.
- > Maintains cleaner tip to belt contact pressure for the life of the tip, eliminating the need for cleaner servicing other than for tip replacement. A significant reduction to the cleaner's cost of ownership.
- > Minimises impact on cleaner tips from Mechanical Belt Fasteners and allows the cleaner to spring back to the correct tension immediately the fastener has passed.
- > Reduces the cost of clean up around the conveyor by maintaining optimum tip contact pressure at all times.

#### Applications

- > For automatic tensioning of all 'H' Series belt cleaners.



Newcastle

Ph (02) 4967 6077

Fax (02) 4960 1784

Muswellbrook

Ph (02) 6541 5088

Fax (02) 6541 5099

Mudgee

Ph (02) 6372 2865

Fax (02) 6372 2646

Parkes

Ph (02) 6863 4808

Fax (02) 6863 4809

Orange

Ph (02) 6361 1443

Fax (02) 6361 1229

Gladstone

Ph (07) 4972 5566

Fax (07) 4972 6566

**Newcastle**

Ph (02) 4967 6077  
Fax (02) 4960 1784

**Muswellbrook**

Ph (02) 6541 5088  
Fax (02) 6541 5099

**Mudgee**

Ph (02) 6372 2865  
Fax (02) 6372 2646

**Parkes**

Ph (02) 6863 4808  
Fax (02) 6863 4809

**Orange**

Ph (02) 6361 1443  
Fax (02) 6361 1229

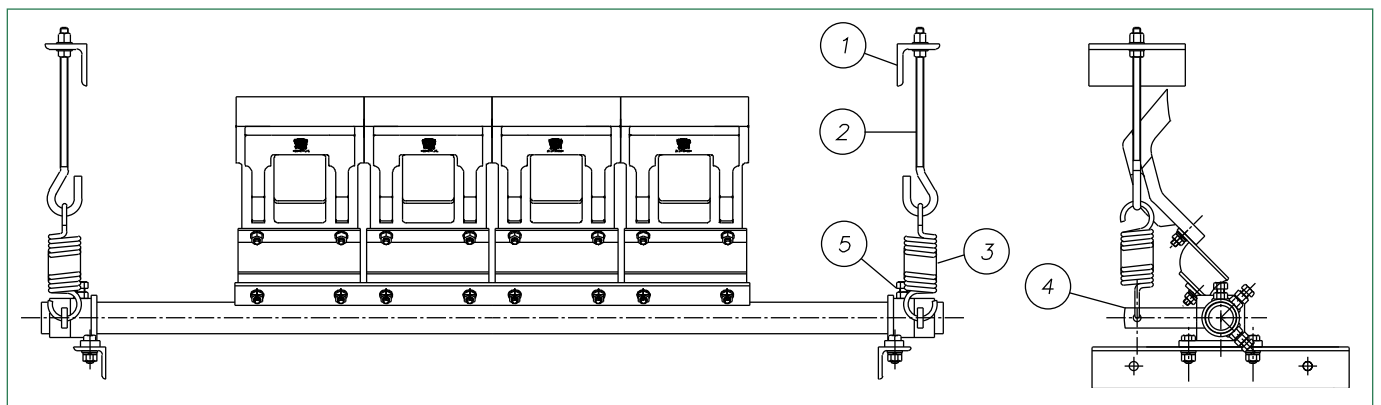
**Gladstone**

Ph (07) 4972 5566  
Fax (07) 4972 6566

## Razer 'H' Series Spring Tensioning System

- > The Razer Industries Spring Tensioning System for 'H' Series belt cleaners is designed to provide automatic adjustment to belt cleaners that are fitted with MonoArm (Polyurethane) belt cleaning tips.
- > Individual tips can accommodate inconsistent belt thickness via the cushion mounts.
- > The Spring Tension system provides adjustment to the full cleaner.
- > May also be used with Tungsten Carbide cleaner tips.

Item	Description	Razer Part No. RBC-	Wt Kg's
1	Spring Tension Bracket	HUSB	0.80
2	Spring Tension Eye-Bolt	EBOLT	0.25
3	Tensioning Spring	T688HD	0.60
4	Adjuster Arm	Refer H Series Spare Parts Price List	
5	Pole Retaining Collar Note: Last 2 numbers in Part No. denote Pole Diameter	HSPC48	0.35
		HSPC60	0.45
		HSPC73	0.65
<b>Complete Assemblies</b>			
Complete Assembly Pairs Comprising Above Items (1, 2 3 and 5) x 2	TEN48	4.00	
	TEN60	4.20	
	TEN73	4.60	



- > Single Side Tensioners for up to and including 900mm belt width.
- > Double Side Tensioners above 900mm belt width.
- > All units are grade 304 stainless steel (excluding springs).





Quality  
Endorsed  
Company



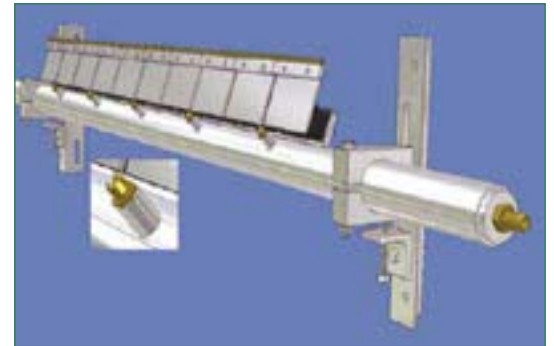
## Product Information Sheet

### Razer Spray Pole Belt Cleaner

#### Function

To apply water in a spray mist to conveyor belts where the material is difficult to remove.

- > Applies water to the belt in an overlapping spray pattern placing the material to be removed into a fluid suspension and assisting in the creation of a "Shear Path".
- > The blades of the Spray Pole Belt Cleaner are then able to make consistent contact with the belt surface to remove the material.



#### Advantages

Best used in conjunction with a Razer Industries 'H' Series cleaner as part of a total cleaning system. The 'H' Series will remove 75% of course carryback thus preventing the overloading of the 'Spray Pole' Series.

- > Sprays are built into the cleaner enabling installation in the tightest of spaces.
- > Cleaning system performance is improved by a minimum of 50% over similar dry systems and maintenance is reduced because of the lubricating action of the water.
- > Fine atomisation of the water from the Spray Pole Cleaner mixes with any dust generated within the chute causing the dust to fall from the atmosphere.
- > The continual flushing action of the sprays ensure minimal build up on chute walls.
- > Spray sizes can be installed which limit the volume of water applied. Generally, approximately 3 litres/minute/spray nozzle.
- > Full stainless steel construction including Tungsten Carbide Tip Holder, Cushion Plates and Fasteners.
- > Tungsten Carbide provides long service life with a high level of resistance to impact damage and/or acid leaching.

#### Applications

- > As the Secondary Cleaner on a single direction conveyor where high levels of performance are demanded.
- > Where the material to be removed is particularly sticky.



Newcastle

Ph (02) 4967 6077  
Fax (02) 4960 1784

Muswellbrook

Ph (02) 6541 5088  
Fax (02) 6541 5099

Mudgee

Ph (02) 6372 2865  
Fax (02) 6372 2646

Parkes

Ph (02) 6863 4808  
Fax (02) 6863 4809

Orange

Ph (02) 6361 1443  
Fax (02) 6361 1229

Gladstone

Ph (07) 4972 5566  
Fax (07) 4972 6566



Quality  
Endorsed  
Company



## Product Information Sheet

### 'P' Series Belt Cleaner

#### Function

For the removal of fine and sticky product from the conveyor belt at the point of discharge.

- > Removes sticky and fine particles adhering to the belt after load discharge.
- > Prevents the fine sticky material from building up on return rollers and support structures.
- > Assists with the provision of a clean and safe working environment.



#### Advantages

Best used in conjunction with a Razer Industries 'H' Series cleaner as part of a total cleaning system. The 'H' Series will remove 75% of course carryback thus preventing the overloading of the 'P' Series.

- > Razer Industries is a 100% Australian owned and operated company.
- > Full stainless steel construction including Tungsten Carbide Tip Holder, Cushion Plates and Fasteners.
- > Is available with either Tungsten Carbide or Polyurethane cleaning tips.
- > Tungsten Carbide provides long service life with a high level of resistance to impact damage and/or acid leaching.
- > Features the Razer Stainless Steel holder for the Tungsten Carbide cleaning tips as standard. Minimises tip failure due to corrosion/erosion from product borne acids.
- > Features the Razer Universal mounting bracket for ease of installation and minimum spares stocking requirements.

#### Applications

- > Use as an individual Belt Cleaner or as a component of a complete cleaning system.
- > Is designed for use on single direction conveyors only.



Newcastle

Ph (02) 4967 6077  
Fax (02) 4960 1784

Muswellbrook

Ph (02) 6541 5088  
Fax (02) 6541 5099

Mudgee

Ph (02) 6372 2865  
Fax (02) 6372 2646

Parkes

Ph (02) 6863 4808  
Fax (02) 6863 4809

Orange

Ph (02) 6361 1443  
Fax (02) 6361 1229

Gladstone

Ph (07) 4972 5566  
Fax (07) 4972 6566

**Newcastle**

Ph (02) 4967 6077  
Fax (02) 4960 1784

**Muswellbrook**

Ph (02) 6541 5088  
Fax (02) 6541 5099

**Mudgee**

Ph (02) 6372 2865  
Fax (02) 6372 2646

**Parkes**

Ph (02) 6863 4808  
Fax (02) 6863 4809

**Orange**

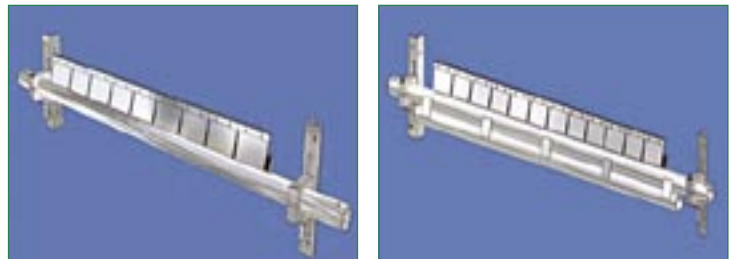
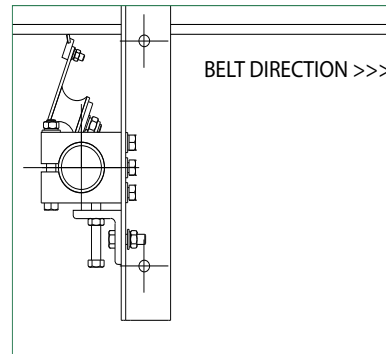
Ph (02) 6361 1443  
Fax (02) 6361 1229

**Gladstone**

Ph (07) 4972 5566  
Fax (07) 4972 6566

## 'P' Series Tungsten Belt Cleaners with 'P' Tips

Belt Width (mm)	Razer Part No. RTBC-	Tip Assy's	Wt Kg's
450	P0500x0450	3	27.0
600	P0600x0600	4	29.6
750	P0750x0750	5	31.8
900	P0900x0900	6	34.3
1050	P1050x1050	7	39.1
Dual Pole1050	DPP1050x1050	7	60.1
1200	P1200x1200	8	41.7
Dual Pole1200	DPP1200x1200	8	62.7
1400	P1400x1350	9	45.6
Dual Pole1400	DPP1400x1350	9	65.7
1600	P1600x1500	10	47.7
Dual Pole1600	DPP1600x1500	10	68.7
1800	P1800x1800	12	52.2
Dual Pole1800	DPP1800x1800	12	75.7
Dual Pole 2000	DPP2000x1950	13	82.8
Dual Pole 2200	DPP2200x2100	14	90.3
Dual Pole 2500	DPP2500x2400	16	95.8
Dual Pole 2600	DPP2600x2550	17	97.2
Dual Pole 3000	DPP3000x3000	20	100.7



## 'P' Series Tungsten Belt Cleaners with 'R' Tips

Belt Width (mm)	Razer Part No. RTBC-	Tip Assy's	Wt Kg's
450	PR0500x0450	3	27.0
600	PR0600x0600	4	29.6
750	PR0750x0750	5	31.8
900	PR0900x0900	6	34.3
1050	PR1050x1050	7	39.1
Dual Pole1050	DPPR1050x1050	7	60.1
1200	PR1200x1200	8	41.7
Dual Pole1200	DPPR1200x1200	8	62.7
1400	PR1400x1350	9	45.6
Dual Pole1400	DPPR1400x1350	9	65.7
1600	PR1600x1500	10	47.7
Dual Pole1600	DPPR1600x1500	10	68.7
1800	PR1800x1800	12	52.2
Dual Pole1800	DPPR1800x1800	12	75.7
Dual Pole 2000	DPPR2000x1950	13	82.8
Dual Pole 2200	DPPR2200x2100	14	90.3
Dual Pole 2500	DPPR2500x2400	16	95.8
Dual Pole 2600	DPPR2600x2550	17	97.2
Dual Pole 3000	DPPR3000x3000	20	100.7

Please note:

- > 'P' Tips should ONLY be used on Vulcanized belts.
- > Heavy Duty Cleaners are available upon request.
- > 'R' Tips can be used on both mechanically joined and Vulcanised belts.
- > Dual Poles are included as standard on Cleaners as marked.
- > Heavy Duty Cleaners are available upon request.

All prices are:

- > Inclusive of all mounting assemblies.
- > Recommended List price in Australian Dollars.
- > Based on Ex Works delivery Warners Bay Australia.
- > Based on standard stainless steel Razer product. Alternative materials are available by request.



Quality  
Endorsed  
Company



## Product Information Sheet

### 'R' Series Belt Cleaner

#### Function

For cleaning reversing conveyor belts or for applications where the belt is likely to reverse over the surface of the belt cleaner tips.

- > Removes sticky fine particles adhering to the belt after load discharge.
- > Prevents the fine sticky material from building up on return rollers and support structures.
- > Assists with the provision of a clean and safe working environment



#### Advantages

Best used in conjunction with a Razer Industries 'H' Series cleaner as part of a total cleaning system. The 'H' Series will remove 75% of course carryback thus preventing the overloading of the 'R' Series.

- > Razer Industries is a 100% Australian owned and operated company.
- > Full stainless steel construction including Tungsten Carbide Tip Holder and Fasteners.
- > Features the Razer Stainless Steel holder for the Tungsten Carbide cleaning tips as standard. Minimises tip failure due to corrosion/erosion from product borne acids.
- > Tungsten Carbide grade is 'Super Fine' providing long service life with a high level of resistance to impact damage and/or acid leaching.
- > Features the Razer Universal mounting bracket for ease of installation and minimum spares stocking requirements.

#### Applications

- > Use an individual Belt Cleaner or as a component of a complete cleaning system.
- > Is designed for use on reversing conveyors or where potential exists for the belt to run backward relative to the cleaner tips such as with trippers and shuttles.



Newcastle

Ph (02) 4967 6077  
Fax (02) 4960 1784

Muswellbrook

Ph (02) 6541 5088  
Fax (02) 6541 5099

Mudgee

Ph (02) 6372 2865  
Fax (02) 6372 2646

Parkes

Ph (02) 6863 4808  
Fax (02) 6863 4809

Orange

Ph (02) 6361 1443  
Fax (02) 6361 1229

Gladstone

Ph (07) 4972 5566  
Fax (07) 4972 6566



Quality  
Endorsed  
Company



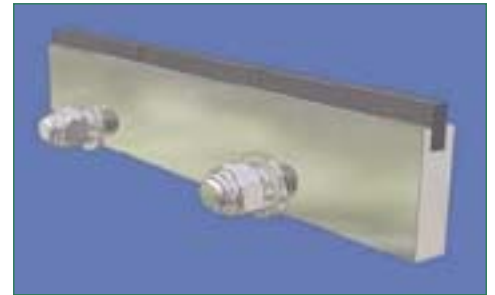
## Product Information Sheet

### In-Line 'R' Series Tungsten Tip

#### Function

To remove fugitive material remaining on the conveyor belt after the load has been discharged.

- > Prevent build up on terminal pulleys.
- > Prevent material build up on conveyor structure which causes corrosion.
- > Provides a safer and cleaner working environment.
- > Reduces loss of product.
- > Adds to plant profitability.



#### Advantages

The Razer In Line 'R' Series tip is designed to ensure total support for the Tungsten Carbide Tile regardless of belt direction by locating the Tile at the centre of the tip body rather than to one side as with older designs.

- > This support also provides protection from impact damage when the tip is used on a 'P' series mounting cushion for damaged conveyor belts.
- > Tungsten Carbide provides long service life with a high level of resistance to impact damage and/or acid leaching.
- > Razer does not plate or apply coatings to our Stainless Steel / Tungsten Tips. Powder Coated, painted and plated tips can hide manufacturing flaws.
- > Stainless Steel Tip Bodies won't corrode as will occur with plated steel.
- > Razer Belt Cleaner Tips offer significant commercial advantage over lesser quality product.

#### Applications

- > Recommended for use on Spliced Belts.
- > May also be used on damaged or mechanically fastened belts when fitted to a 'P' Series single direction cleaner.



Newcastle

Ph (02) 4967 6077  
Fax (02) 4960 1784

Muswellbrook

Ph (02) 6541 5088  
Fax (02) 6541 5099

Mudgee

Ph (02) 6372 2865  
Fax (02) 6372 2646

Parkes

Ph (02) 6863 4808  
Fax (02) 6863 4809

Orange

Ph (02) 6361 1443  
Fax (02) 6361 1229

Gladstone

Ph (07) 4972 5566  
Fax (07) 4972 6566

**Newcastle**

Ph (02) 4967 6077  
Fax (02) 4960 1784

**Muswellbrook**

Ph (02) 6541 5088  
Fax (02) 6541 5099

**Mudgee**

Ph (02) 6372 2865  
Fax (02) 6372 2646

**Parkes**

Ph (02) 6863 4808  
Fax (02) 6863 4809

**Orange**

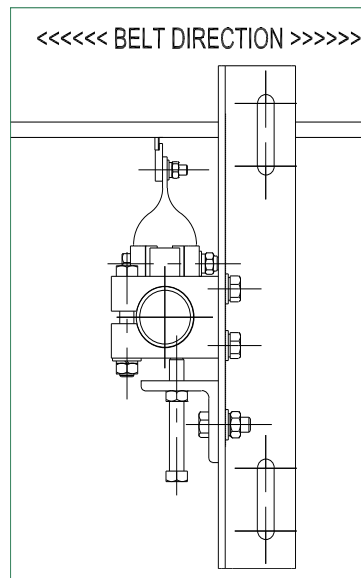
Ph (02) 6361 1443  
Fax (02) 6361 1229

**Gladstone**

Ph (07) 4972 5566  
Fax (07) 4972 6566

## 'R' Series Tungsten Belt Cleaners with 'R' Tips

Belt Width (mm)	Razer Part No. RTBC-	Tip Assy's	Wt Kg's
450	R0500x0450	3	27.0
600	R0600x0600	4	29.3
750	R0750x0750	5	31.5
900	R0900x0900	6	34.0
1050	R1050x1050	7	38.8
Dual Pole1050	DPR1050x1050	7	52.9
1200	R1200x1200	8	42.1
Dual Pole1200	DPR1200x1200	8	57.8
1400	R1400x1350	9	44.7
Dual Pole1400	DPR1400x1350	9	62.3
1600	R1600x1500	10	47.9
Dual Pole1600	DPR1600x1500	10	67.4
1800	R1800x1800	12	52.1
Dual Pole1800	DPR1800x1800	12	72.6
Dual Pole 2000	DPR2000x1950	13	73.2
Dual Pole 2200	DPR2200x2100	14	74.8
Dual Pole 2500	DPR2500x2400	16	81.0
Dual Pole 2600	DPR2600x2550	17	90.0
Dual Pole 3000	DPR3000x3000	20	101.5



Please note:

- > Dual Poles are included as standard on Cleaners as marked.

All prices are:

- > Recommended List price in Australian Dollars.
- > Based on Ex Works delivery Warners Bay Australia.
- > Based on standard stainless steel Razer product. Alternative materials are available by request.



Newcastle

Ph (02) 4967 6077  
Fax (02) 4960 1784

Muswellbrook

Ph (02) 6541 5088  
Fax (02) 6541 5099

Mudgee

Ph (02) 6372 2865  
Fax (02) 6372 2646

Parkes

Ph (02) 6863 4808  
Fax (02) 6863 4809

Orange

Ph (02) 6361 1443  
Fax (02) 6361 1229

Gladstone

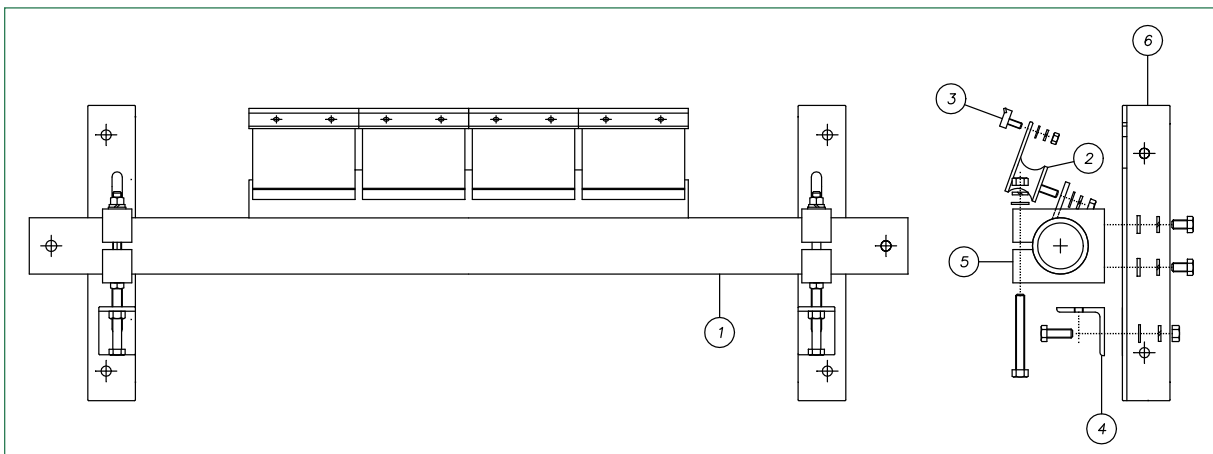
Ph (07) 4972 5566  
Fax (07) 4972 6566

## 'P' and 'R' Series Replacement Components

- > All Metal Components are 304 grade Stainless Steel.
- > Dual Pole prices available upon request.
- > Note that 'P' and 'R' Bearing Assemblies are interchangeable.

Ref	Description	Belt Width (mm)	Part No. RBC-	Wt. Kg's	Pole Dia mm	Pole Length mm
1	'P' Series Stainless Steel Poles	450	PP0500	5.21	48	1000
		600	PP0600	5.60	48	1000
		750	PP0750	7.00	48	1250
		900	PP0900	9.94	60	1400
		1050	PP1050	11.42	60	1600
		1200	PP1200	18.62	73	1800
		1400	PP1400	20.73	73	2000
		1600	PP1600	24.10	73	2200
	'R' Series Stainless Steel Poles	450	PR0500	6.38	48	1000
		600	PR0600	7.15	48	1000
		750	PR0750	8.94	48	1250
		900	PR0900	12.27	60	1400
		1050	PR1050	14.14	60	1600
		1200	PR1200	21.73	73	1800
		1400	PR1400	24.23	73	2000
		1600	PR1600	28.37	73	2200
	1800	PR1800	30.87	73	2500	

Ref	Description	Belt Width (mm)	Part No. RBC-	Wt. Kg's	
2	High Speed Cushion				
	'P' Series		PC150S	0.96	
	'R' Series		RC150	0.80	
3	Tungsten/Stainless Steel Cleaner Tips				
	'P' Series Tips		PT150S	0.32	
	'P' Series Razerthane Tips		PT150P	0.20	
	'R' Series Tips		RT150S	0.36	
4	Adjuster Angle		PAA	0.60	
			PAAHD	0.74	
5	Bracket Clamp Blocks		PCB48	1.30	
			PCB60	2.84	
			PCB73	2.44	
			PCB73HD	4.52	
6	Universal Mounting Bracket		UMB	2.16	
			UMBHD	2.77	
Complete Bearing Assemblies Comprising Ref (4, 5 & 6) x 2					
				P48BA	4.06
				P60BA	5.60
				P73BA	5.20
				P73BAHD	8.02





Quality  
Endorsed  
Company



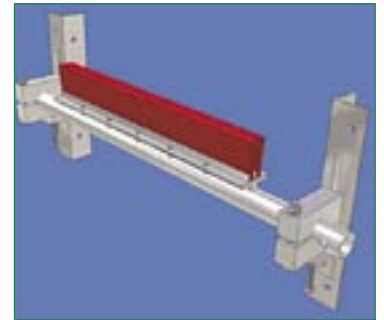
## Product Information Sheet

### Brush Belt Cleaners

#### Function

For the removal of fugitive carry back materials from conveyor belts with severe damage, rough or damaged surfaces or where cleats and other obstructions prevent the installation of conventional belt cleaners.

- > Removes materials adhering to the belt after load discharge.
- > Helps in the prevention of building up on return rollers and support structures.
- > Assists with the provision of a clean and safe working environment.



#### Advantages

The Razer Brush cleaner will not cause or propagate damage on the surface of the conveyor belt. Bristle density also enables the "Fall Away" of built up material within the brush under most circumstances.

- > Razer Industries is a 100% Australian owned and operated company.
- > Full stainless steel construction including Brush Backing Plate and Fasteners.
- > Each cleaner is fitted with 2 rows of 12mm Stainless Steel Brush Strip.
- > Brush Bristles are 0.035" Red Polypropylene Brush Filament 65mm trimmed height.
- > May be used in conjunction with a Razer Spray Bar System to continually flush the brushes.
- > Features the Razer Universal mounting bracket and clamping system to enable cost effective replacement with a conventional cleaner should future circumstances require it.

#### Applications

- > Use as an individual Belt Cleaner or as a component of a complete cleaning system.
- > Is designed for use on multi-direction conveyors.



Newcastle

Ph (02) 4967 6077  
Fax (02) 4960 1784

Muswellbrook

Ph (02) 6541 5088  
Fax (02) 6541 5099

Mudgee

Ph (02) 6372 2865  
Fax (02) 6372 2646

Parkes

Ph (02) 6863 4808  
Fax (02) 6863 4809

Orange

Ph (02) 6361 1443  
Fax (02) 6361 1229

Gladstone

Ph (07) 4972 5566  
Fax (07) 4972 6566



Quality  
Endorsed  
Company



Manufactured by  
Razer Industries

**Newcastle**

Ph (02) 4967 6077  
Fax (02) 4960 1784

**Muswellbrook**

Ph (02) 6541 5088  
Fax (02) 6541 5099

**Mudgee**

Ph (02) 6372 2865  
Fax (02) 6372 2646

**Parkes**

Ph (02) 6863 4808  
Fax (02) 6863 4809

**Orange**

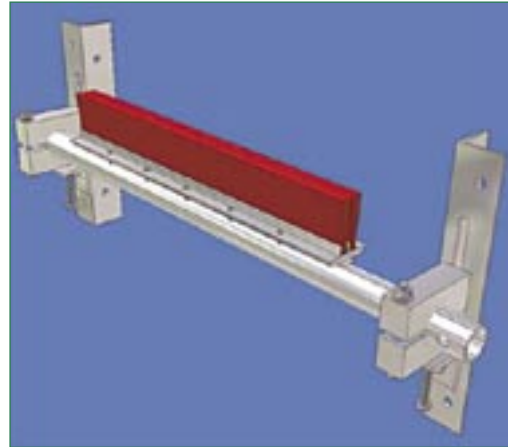
Ph (02) 6361 1443  
Fax (02) 6361 1229

**Gladstone**

Ph (07) 4972 5566  
Fax (07) 4972 6566

## Razer Brush Series Belt Cleaners

Belt Width (mm)	Razer Part No. RTBC-	Brush Width	Wt Kg's
500	RBBC-500	500	27.0
600	RBBC-B600	600	29.0
750	RBBC-B750	750	31.0
900	RBBC-B900	900	34.0
1050	RBBC-B1050	1050	38.0
1200	RBBC-B1200	1200	42.0
1400	RBBC-B1400	1400	44.0
1500	RBBC-B1500	1500 </td <td>46.0</td>	46.0
1600	RBBC-B1600	1600	48.0
1800	RBBC-B1800	1800	52.0



Please note:

- > Dual Poles Cleaners and non standard designs are available upon request.

All prices are:

- > Recommended Retail price in Australian Dollars.
- > Based on Ex Works delivery Warners Bay Australia.
- > Based on standard stainless steel Razer product. Alternative materials are available by request.

Au \$ Replacement Spares		
	Brush	Pole
Belt Width (mm)	Razer Part No.	Razer Part No.
500	RBC-B500	RBC-BP500
600	RBC-B600	RBC-BP600
750	RBC-B750	RBC-BP750
900	RBC-B900	RBC-BP900
1050	RBC-B1050	RBC-BP1050
1200	RBC-B1200	RBC-BP1200
1400	RBC-B1400	RBC-BP1400
1500	RBC-B1500	RBC-BP1500
1600	RBC-B1600	RBC-BP1600
1800	RBC-B1800	RBC-BP1800





Quality  
Endorsed  
Company



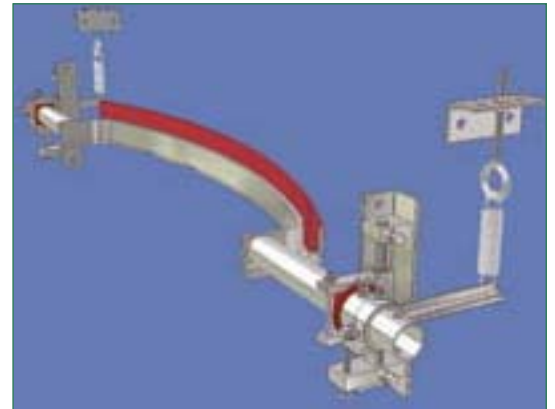
## Product Information Sheet

### Razer 'You' Cleaner

#### Function

For the removal of fine and sticky product from the conveyor belt at the point of discharge.

- > Designed to work with worn belts, the 'You' Cleaner removes sticky and fine particles adhering to the belt after load discharge.
- > Prevents the fine sticky material from building up on return rollers and support structures.
- > Assists with the provision of a clean and safe working environment.



#### Advantages

Best used in conjunction with a Razer Industries 'H' Series cleaner as part of a total cleaning system. The 'H' Series will remove 75% of course carryback thus preventing the overloading of the 'You' Series.

- > Razer Industries Pty Ltd is a 100% Australian owned and operated company.
- > The design of the 'You' Cleaner enables the cleaning blade to remain in contact with the surface of the conveyor belt even though excessive wear may have occurred.
- > Full stainless steel construction including Fasteners.
- > Features the Razer 'Razerthane™' "FlexiBlade™" cartridge belt cleaner blade, patented by Razer. The single piece insert design provides maximum stability of the 'You' cleaner in service.
- > Tungsten Carbide Tiles are 3mm thick providing longer tip life and are less aggressive to belt top covers than thinner blades of similar design. The thicker Tungsten Tile also provides greater impact protection and resistance to acid leaching.
- > Razerthane™ Cartridge Body provides better bond strength to metal components providing higher protection and support.
- > Razerthane™ also makes tip replacement easier than similar rubber products.

#### Applications

- > As a secondary cleaner on single direction conveyors where high levels of belt wear are present.



Newcastle

Ph (02) 4967 6077  
Fax (02) 4960 1784

Muswellbrook

Ph (02) 6541 5088  
Fax (02) 6541 5099

Mudgee

Ph (02) 6372 2865  
Fax (02) 6372 2646

Parkes

Ph (02) 6863 4808  
Fax (02) 6863 4809

Orange

Ph (02) 6361 1443  
Fax (02) 6361 1229

Gladstone

Ph (07) 4972 5566  
Fax (07) 4972 6566



Quality  
Endorsed  
Company



## Product Information Sheet

### Belt Cleaner Tips - FlexiBlade™ Cartridge

#### Function

To remove fugitive material remaining on the conveyor belt after the load has been discharged.

- > Prevent build up on terminal pulleys.
- > Prevent material building up on conveyor structure which causes corrosion.
- > Provides a safer and cleaner working environment.
- > Reduces loss of product.
- > Adds to plant profitability.



#### Advantages

Razer "FlexiBlade"™ Cartridge blades are produced using high grade Tungsten Carbide tiles brazed to a metal plate which are then encased in Razerthane™ to form a modular flexible cartridge style cleaner blade that is interchangeable with existing cartridge blades.

- > Razer Industries is 100% Australian owned and operated company.
- > Designed as a modular belt cleaning cartridge to fit into pre existing or site designed holders.
- > Tungsten Carbide Tiles are 3mm thick providing longer tip life and are less aggressive to belt top covers. The thicker Tungsten Tile also provides greater impact protection.
- > Razerthane™ Cartridge Body provides better bond strength to metal components providing higher protection and support. Razerthane™ also makes tip replacement easier than similar rubber products.
- > Razer "FlexiBlade"™ is very competitively priced compared to lesser quality products.

#### Applications

- > Recommended for use on Spliced, single direction Conveyor Belts.



Newcastle

Ph (02) 4967 6077  
Fax (02) 4960 1784

Muswellbrook

Ph (02) 6541 5088  
Fax (02) 6541 5099

Mudgee

Ph (02) 6372 2865  
Fax (02) 6372 2646

Parkes

Ph (02) 6863 4808  
Fax (02) 6863 4809

Orange

Ph (02) 6361 1443  
Fax (02) 6361 1229

Gladstone

Ph (07) 4972 5566  
Fax (07) 4972 6566



Quality  
Endorsed  
Company



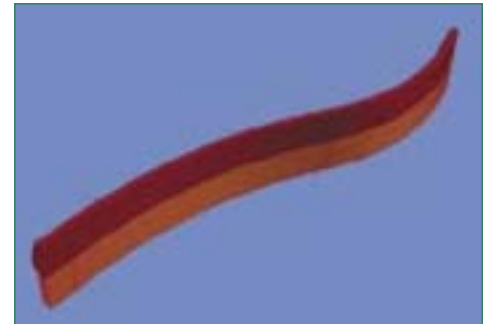
## Product Information Sheet

### Belt Cleaner Tips - Razerthane™ Cartridge

#### Function

To remove fugitive material from conveyor belt that is mechanically fastened or suffering cover damage.

- > Prevent build up on terminal pulleys.
- > Prevent material building up on conveyor structure which causes corrosion.
- > Provides a safer and cleaner working environment.
- > Reduces loss of product.
- > Adds to plant profitability.



#### Advantages

Razer Cartridge blades are produced using "Razerthane"™ high grade cast Polyurethane to form a modular cartridge style cleaner blade that is interchangeable with existing cartridge blades and designed to run on damaged belts or belts with mechanical fasteners/repairs.

- > Razer Industries is 100% Australian owned and operated company.
- > Razerthane™ has been proven in field trials to provide greater wear life resulting in significant commercial advantage over lesser quality product.
- > Designed as a modular belt cleaning cartridge to fit into pre existing or site designed holders.

#### Applications

- > Recommended for use on clipped or damaged, single direction Conveyor Belts.



Newcastle

Ph (02) 4967 6077  
Fax (02) 4960 1784

Muswellbrook

Ph (02) 6541 5088  
Fax (02) 6541 5099

Mudgee

Ph (02) 6372 2865  
Fax (02) 6372 2646

Parkes

Ph (02) 6863 4808  
Fax (02) 6863 4809

Orange

Ph (02) 6361 1443  
Fax (02) 6361 1229

Gladstone

Ph (07) 4972 5566  
Fax (07) 4972 6566



Quality  
Endorsed  
Company



Manufactured by  
Razer Industries

**Newcastle**

Ph (02) 4967 6077  
Fax (02) 4960 1784

**Muswellbrook**

Ph (02) 6541 5088  
Fax (02) 6541 5099

**Mudgee**

Ph (02) 6372 2865  
Fax (02) 6372 2646

**Parkes**

Ph (02) 6863 4808  
Fax (02) 6863 4809

**Orange**

Ph (02) 6361 1443  
Fax (02) 6361 1229

**Gladstone**

Ph (07) 4972 5566  
Fax (07) 4972 6566

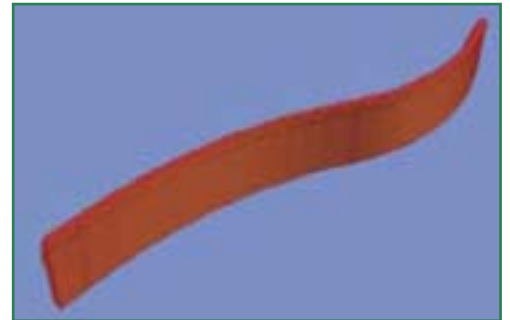
## FlexiBlade™ & Razerthane™ Cartridge Style Replacement Cleaner Blades

Belt Width	Part No.
450 belt	RFB-U45TC
600 belt	RFB-U60TC
750 belt	RFB-U75TC
* 900 belt	RFB-U90TC
* 1050 belt	RFB-U105TC
* 1200 belt	RFB-U120TC
* 1400 belt	RFB-U140TC
1500 belt	RFB-U150TC
* 1600 belt	RFB-U160TC
1800 belt	RFB-U180TC
2000 belt	RFB-U200TC

\* Denotes Items Stocked

### Tungsten & Razerthane™ Blades

- > Completely interchangeable with OEM equipment.
- > Less aggressive on damaged and mechanically fastened belts.
- > Razerthane is an extremely long wearing cast grade of Polyurethane that has no fillers or emulsifiers.



Please note:

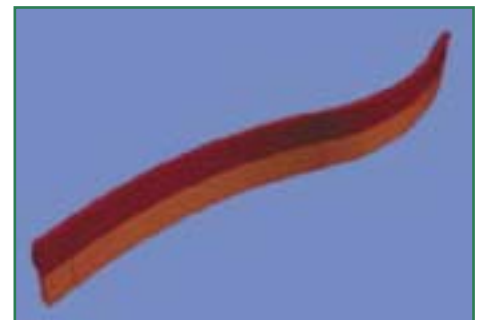
- > All prices exclude GST.
- > All prices are FOT Warners Bay NSW.

Belt Width	Part No.
450 belt	RFB-U45PC
600 belt	RFB-U60PC
750 belt	RFB-U75PC
* 900 belt	RFB-U90PC
* 1050 belt	RFB-U105PC
* 1200 belt	RFB-U120PC
* 1400 belt	RFB-U140PC
1500 belt	RFB-U150PC
* 1600 belt	RFB-U160PC
1800 belt	RFB-U180PC

\* Denotes Items Stocked

### Razerthane™ Blades

- > Completely interchangeable with OEM equipment.
- > Our thicker Tungsten Blade means longer life.
- > Body made from Razerthane™ provides longer life and better metal component protection.



Please note:

- > All prices exclude GST.
- > All prices are FOT Warners Bay NSW.





Quality  
Endorsed  
Company



## Product Information Sheet

### Belt Cleaner Tips - Tungsten

#### Function

To remove fugitive material remaining on the conveyor belt after the load has been discharged.

- > Prevent build up on terminal pulleys.
- > Prevent material building up on conveyor structure which causes corrosion.
- > Provides a safer and cleaner working environment.
- > Reduces loss of product.

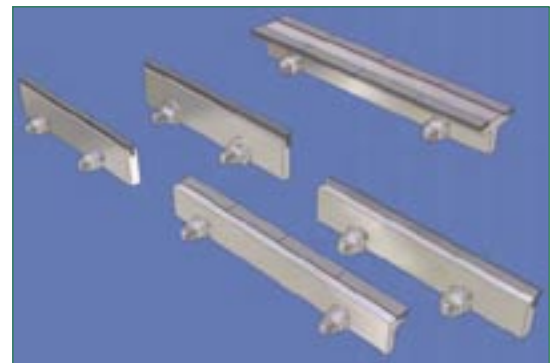
#### Advantages

Razer produces Tungsten Carbide tips to suit the 'H', 'P' and 'R' series cleaners. As standard, Razer tips are produced using high grade Tungsten that is supported in Stainless Steel Holders.

- > Tips are 100% interchangeable with competitor's components.
- > Razer Industries is 100% Australian owned and operated company.
- > Tungsten Carbide provides long service life with a high level of resistance to impact damage and/or acid leaching.
- > No plating is applied for Stainless Steel / Tungsten Tips. Coated and plated tips can hide manufacturing flaws.
- > Stainless Steel Holders are more resistant to wear of the holder providing longer tip life.
- > Stainless Steel Holders won't corrode as with painted or plated mild steel holders offering significant commercial advantage over lesser quality product.

#### Applications

- > Recommended for use on Spliced Belts with good belt cover condition.
- > Should not be used on belts running mechanical fasteners. For these applications, see Razer information sheet for MonoArm™ Cleaner Tips.



Newcastle

Ph (02) 4967 6077  
Fax (02) 4960 1784

Muswellbrook

Ph (02) 6541 5088  
Fax (02) 6541 5099

Mudgee

Ph (02) 6372 2865  
Fax (02) 6372 2646

Parkes

Ph (02) 6863 4808  
Fax (02) 6863 4809

Orange

Ph (02) 6361 1443  
Fax (02) 6361 1229

Gladstone

Ph (07) 4972 5566  
Fax (07) 4972 6566



Quality  
Endorsed  
Company



## Product Information Sheet

### Cleaner Mounting Cushions

#### Function

To provide a flexible-mounting element allowing the belt cleaner tips to accommodate movement or inconsistencies in the conveyor belt.

- > To enable the accurate alignment of cleaner tips ensuring constant tip to belt pressure is maintained at all times.
- > To enable each cleaner tip to move independently of its partner ensuring full belt width cleaning is provided by the tips even on worn belts.

#### Advantages

- > All Razer Mounting Cushions are produced to the highest standards to provide consistent rubber compression rates and the exclusion of voids during the moulding process.
- > Razer Industries is 100% Australian owned and operated company.
- > Stainless Steel metal plates are used rather than painted mild steel thus providing significant reductions in bond failure due to corrosion and improved component life.
- > Exceptional rubber to metal bond strengths is achieved to ensure long life.
- > Rubber compounds are formulated to prevent compression set occurring.
- > All Razer Mounting Cushions are 100% interchangeable with competitor's products.

#### Applications

- > Razer provides mounting cushions for each of the three cleaners in our range.
- > The series designation 'H', 'P' or 'R' of the cleaner will describe the correct cushion for your application.



Newcastle

Ph (02) 4967 6077  
Fax (02) 4960 1784

Muswellbrook

Ph (02) 6541 5088  
Fax (02) 6541 5099

Mudgee

Ph (02) 6372 2865  
Fax (02) 6372 2646

Parkes

Ph (02) 6863 4808  
Fax (02) 6863 4809

Orange

Ph (02) 6361 1443  
Fax (02) 6361 1229

Gladstone

Ph (07) 4972 5566  
Fax (07) 4972 6566



Quality  
Endorsed  
Company



## Product Information Sheet

### Razer Vee Ploughs

#### Function

Build up on pulley shells by fugitive material is a major cause for conveyor belt damage, slippage and poor tracking. Effective cleaning of the belt return strand topside by a Razer Vee Plough reduces or eliminates this occurrence and reduces conveyor maintenance costs.

- > To dispose of fugitive product from the belt return strand and prevent it adhering to Take Up, Head and Tail pulley faces.



#### Advantages

- > Razer Industries is a 100% Australian owned and operated company.
- > Floats on the belt cover and requires minimal adjustment throughout the life of the plough blades.
- > Separate Moulded Polyurethane Nose with 25mm Radius for better impact absorption.
- > 100% Stainless Steel construction including all fasteners.
- > Replacement blades are not handed, enabling reduced stock holding.
- > Support arms are greaseable to maintain the "Floating" action over the life of the plough.
- > Low maintenance costs facilitated by rapid blade change times.

#### Applications

- > Should be mounted before tail pulleys and prior to horizontal or gravity take up mechanisms.
- > Is not suitable for reversing conveyor systems.
- > Not to be installed in any position where the belt is likely to run in reverse over the plough blades.



Newcastle

Ph (02) 4967 6077  
Fax (02) 4960 1784

Muswellbrook

Ph (02) 6541 5088  
Fax (02) 6541 5099

Mudgee

Ph (02) 6372 2865  
Fax (02) 6372 2646

Parkes

Ph (02) 6863 4808  
Fax (02) 6863 4809

Orange

Ph (02) 6361 1443  
Fax (02) 6361 1229

Gladstone

Ph (07) 4972 5566  
Fax (07) 4972 6566



Quality  
Endorsed  
Company



Manufactured by  
Razer Industries

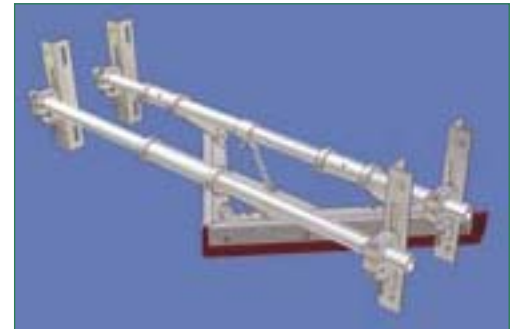
## Product Information Sheet

### Razer FailSafe™ Vee Plough

#### Function

Build up on pulley shells by fugitive material is a major cause for conveyor belt damage, slippage and poor tracking. Effective cleaning of the belt return strand topside by a Razer FailSafe Vee Plough reduces or eliminates this occurrence and reduces conveyor maintenance costs.

- > To dispose of fugitive product from the belt return strand and prevent it adhering to take up, head and tail pulley faces.



#### Advantages

- > The Rhomboid formed by the dual poles and their connection to the vee plough head ensures that the plough is aligned to the belt at all times throughout the blade wear life.
- > Four point mounting ensures greater stability of the plough preventing any nose dive as a result of impact.
- > Plough Failsafe Mechanism limits the travel of the plough head ensuring that only the blades contact the belt.
- > The plough head floats on the belt cover and requires zero adjustment throughout the life of the plough blades.
- > Separate Moulded Polyurethane Nose with 25mm Radius for better impact absorption.
- > 100% Stainless Steel construction including all fasteners.
- > Replacement blades are not handed enabling reduced stock holding.
- > Support arms are greaseable to maintain the "Floating" action over the life of the plough.
- > Low maintenance costs facilitated by rapid blade change times.

#### Applications

- > Should be mounted before tail pulleys and prior to horizontal or gravity take up mechanisms.
- > Is not suitable under any circumstances for reversing conveyor systems.
- > Not to be installed in any position where the belt is likely to run in reverse over the plough blades.



Newcastle

Ph (02) 4967 6077  
Fax (02) 4960 1784

Muswellbrook

Ph (02) 6541 5088  
Fax (02) 6541 5099

Mudgee

Ph (02) 6372 2865  
Fax (02) 6372 2646

Parkes

Ph (02) 6863 4808  
Fax (02) 6863 4809

Orange

Ph (02) 6361 1443  
Fax (02) 6361 1229

Gladstone

Ph (07) 4972 5566  
Fax (07) 4972 6566



Quality  
Endorsed  
Company



Manufactured by  
Razer Industries

**Newcastle**

Ph (02) 4967 6077  
Fax (02) 4960 1784

**Muswellbrook**

Ph (02) 6541 5088  
Fax (02) 6541 5099

**Mudgee**

Ph (02) 6372 2865  
Fax (02) 6372 2646

**Parkes**

Ph (02) 6863 4808  
Fax (02) 6863 4809

**Orange**

Ph (02) 6361 1443  
Fax (02) 6361 1229

**Gladstone**

Ph (07) 4972 5566  
Fax (07) 4972 6566

## Razer Floating Standard Ploughs

### Stainless Ploughs

- > Razer holds stock of stainless steel standard duty Floating 'V' Ploughs.
- > Delivery of stainless steel 'FailSafe', Heavy Duty Vee Ploughs & Diagonal Reversing Ploughs is subject to manufacturing forward loads but generally not exceeding 15 working days.



### Floating Heavy Duty 'V' Ploughs

Belt Width (mm)	Part Number	Wt Kg's
450	RVP-0450-S	19.70
600	RVP-0600-S	22.50
750	RVP-0750-S	24.20
900	RVP-0900-S	26.50
1050	RVP-1050-S	27.60
1200	RVP-1200-S	29.80
1400	RVP-1400-S	31.30
1500	RVP-1500-S	35.20
1600	RVP-1600-S	39.30
1700	RVP-1700-S	41.50

Please note:

- > Prices exclude GST.
- > Prices are FOT Warners Bay NSW Australia.
- > Alternative finishes are available by request.

### Floating Standard Duty Plough - Spare Parts

Description	Part Number	Wt Kg's
Turnbuckle	RVP-TB	0.15
Nose Section	RVP-N1	0.25
Link Arm	RVP-LA48-S	2.20
Mounting Bracket	RVP-MB48-S	1.55
Pole Locking Collar	RVP-C48-S	0.50
Nose Support Collar	RVP-NS48-S	0.25
Stainless Cover Plate	RVP-CP0450-CP1800	Var

Poles			Floating 'V' Frames		2.50'V' Plough Blades	
Belt Width (mm)	Part No. RVP-	Wt Kg's	Part No. RVP-	Wt Kg's	Part No. RVP-	Wt Kg's
450	P0450-S	4.04	MF0450-S	4.41	0450-B	0.60
600	P0600-S	4.85	MF0600-S	5.72	0600-B	0.75
750	P0750-S	4.85	MF0750-S	7.15	0750-B	0.95
900	P0900-S	6.07	MF0900-S	8.45	0900-B	1.30
1050	P01050-S	6.07	MF1050-S	9.76	1050-B	1.55
1200	P01200-S	7.28	MF1200-S	11.1	1200-B	1.70
1400	P01400-S	8.69	MF1400-S	12.81	1400-B	1.85
1500	P01500-S	8.69	MF1500-S	13.69	1500-B	2.00
1600	P01600-S	8.69	MF1600-S	14.55	1600-B	2.25
1800	P01800-S	9.71	MF1800-S	16.63	1800-B	2.50





Quality  
Endorsed  
Company



Manufactured by  
Razer Industries

**Newcastle**

Ph (02) 4967 6077  
Fax (02) 4960 1784

**Muswellbrook**

Ph (02) 6541 5088  
Fax (02) 6541 5099

**Mudgee**

Ph (02) 6372 2865  
Fax (02) 6372 2646

**Parkes**

Ph (02) 6863 4808  
Fax (02) 6863 4809

**Orange**

Ph (02) 6361 1443  
Fax (02) 6361 1229

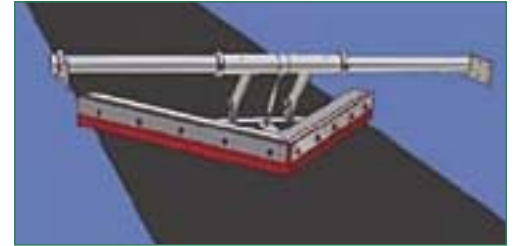
**Gladstone**

Ph (07) 4972 5566  
Fax (07) 4972 6566

## Razer Floating Heavy Duty Ploughs

### Stainless Ploughs

- > Razer holds stock of stainless steel standard Duty Floating 'V' Ploughs.
- > Delivery of Stainless Steel 'FailSafe', Heavy Duty Vee Ploughs & Diagonal Reversing Ploughs is subject to manufacturing forward loads but generally not exceeding 15 working days.



### Floating Heavy Duty 'V' Ploughs

Belt Width (mm)	Part Number	Wt Kg's
1600	RVPHD-1600	65.0
1800	RVPHD-1800	71.2
2000	RVPHD-2000	78.9
2200	RVPHD-2200	83.4
2400	RVPHD-2400	89.2
2500	RVPHD-2500	93.4

Please note:

- > Prices exclude GST.
- > Prices are FOT Warners Bay NSW Australia.
- > Alternative finishes are available by request.

### Floating Heavy Duty Plough - Spare Parts

Description	Part Number	Wt Kg's
Turnbuckle	RVP-TB-HD	0.22
Nose Section	RVP-NS-HD	0.33
Link Arm	RVP-LA73-HD	3.00
Mounting Bracket	RVP-MB-HD	2.50
Pole Locking Collar	RVP-C-HD	0.75
Nose Support Collar	RVP-NSC-HD	0.35
Stainless Cover Plate	RVP-CP1600HD – CP2500-HD (Per Set)	Var

Poles			Floating 'V' Frames		'V' Plough Blades	
Belt Width (mm)	Part No. RVP-	Wt Kg's	Part No. RVP-	Wt Kg's	Part No. RVP-	Wt Kg's
1600	P1600-HD	24.79	MF1600-HD	68.82	1600-B-HD	3.37
1800	P1800-HD	27.05	MF1800-HD	75.07	1800-B-HD	3.80
2000	P2000-HD	29.30	MF2000-HD	81.31	2000-B-HD	4.22
2200	P2200-HD	31.56	MF2200-HD	87.55	2200-B-HD	4.64
2400	P2400-HD	33.81	MF2400-HD	93.79	2400-B-HD	5.06
2500	P2500-HD	34.94	MF2500-HD	98.90	2500-B-HD	5.48





Quality  
Endorsed  
Company



Manufactured by  
Razer Industries

**Newcastle**

Ph (02) 4967 6077  
Fax (02) 4960 1784

**Muswellbrook**

Ph (02) 6541 5088  
Fax (02) 6541 5099

**Mudgee**

Ph (02) 6372 2865  
Fax (02) 6372 2646

**Parkes**

Ph (02) 6863 4808  
Fax (02) 6863 4809

**Orange**

Ph (02) 6361 1443  
Fax (02) 6361 1229

**Gladstone**

Ph (07) 4972 5566  
Fax (07) 4972 6566

## Razer 'FailSafe' Standard Ploughs

### Stainless Ploughs

- > Razer holds stock of stainless steel standard duty Floating 'V' Ploughs.
- > Delivery of stainless steel 'FailSafe', Heavy Duty Vee Ploughs & Diagonal Reversing Ploughs is subject to manufacturing forward loads but generally not exceeding 15 working days.



### FailSafe Standard Duty 'V' Plough

Belt Width (mm)	Part Number	Wt Kg's
600	RVP-DP0600	32.31
750	RVP-DP0750	35.32
900	RVP-DP0900	39.05
1050	RVP-DP1050	41.45
1200	RVP-DP1200	44.96
1400	RVP-DP1400	47.78
1500	RVP-DP1500	53.41
1600	RVP-DP1600	58.39
1800	RVP-DP1800	61.45

Please note:

- > Prices exclude GST.
- > Prices are FOT Warners Bay NSW Australia.
- > Alternative finishes are available by request.

### FailSafe Standard Duty Plough - Spare Parts

Description	Part Number	Wt Kg's
Failsafe Mechanism	RVP-FSMECH	0.47
Nose Section	RVP-NS	0.25
Leading Dual Link Arm	RVP-DPLA	3.90
Trailing Single Link Arm	RVP-DPLA48	2.20
Mounting Bracket	RVP-MB	1.55
Pole Spacer	RVP-DPS0600—DPS1800	1.15
Stainless Cover Plate	RVP-DPCP0600—DPCP1800	Var
Pole Locking Collar	RVP-C48-S	0.50

Poles			Failsafe 'V' Frames		Failsafe Std 'V' Plough Blades	
Belt Width (mm)	Part No. RVP-	Wt Kg's	Part No. RVP-	Wt Kg's	Part No. RVP-	Wt Kg's
600	DP0600	4.85	DPMF0600	6.72	DP0600-B	0.75
750	DP0750	4.85	DPMF0750	8.15	DP0750-B	0.95
900	DP0900	6.07	DPMF0900	9.45	DP0900-B	1.30
1050	DP1050	6.07	DPMF1050	10.76	DP1050-B	1.55
1200	DP1200	7.28	DPMF1200	12.08	DP1200-B	1.70
1400	DP1400	8.69	DPMF1400	13.81	DP1400-B	1.85
1500	DP1500	8.69	DPMF1500	14.69	DP1500-B	2.00
1600	DP1600	8.69	DPMF1600	15.55	DP1600-B	2.25
1800	DP1800	9.71	DPMF1800	17.63	DP1800-B	2.50



**Newcastle**

Ph (02) 4967 6077  
Fax (02) 4960 1784

**Muswellbrook**

Ph (02) 6541 5088  
Fax (02) 6541 5099

**Mudgee**

Ph (02) 6372 2865  
Fax (02) 6372 2646

**Parkes**

Ph (02) 6863 4808  
Fax (02) 6863 4809

**Orange**

Ph (02) 6361 1443  
Fax (02) 6361 1229

**Gladstone**

Ph (07) 4972 5566  
Fax (07) 4972 6566

## Razer 'FailSafe' Heavy Duty Ploughs

### Stainless Ploughs

- > Razer holds stock of stainless steel standard duty Floating 'V' Ploughs.
- > Delivery of stainless steel 'FailSafe', Heavy Duty Vee Ploughs & Diagonal Reversing Ploughs is subject to manufacturing forward loads but generally not exceeding 15 working days.



### FailSafe Heavy Duty 'V' Plough

Belt Width (mm)	Part Number	Wt Kg's
1600	RVPHD-1600	105.75
1800	RVPHD-1800	114.24
2000	RVPHD-2000	122.74
2200	RVPHD-2200	131.23
2400	RVPHD-2400	139.73
2500	RVPHD-2500	145.97
1500	RVP-DP1500	53.41
1600	RVP-DP1600	58.39
1800	RVP-DP1800	61.45

Please note:

- > Prices exclude GST.
- > Prices are FOT Warners Bay NSW Australia.
- > Alternative finishes are available by request.

### FailSafe Heavy Duty Plough - Spare Parts

Description	Part Number	Wt Kg's
Failsafe Mechanism	RVP-FSMECH-HD	0.68
Pole Retaining Collar	RVP-DP-LC-HD	0.75
Leading Dual Link Arm	RVP-DP-TLA-HD	4.70
Trailing Single Link Arm	RVP-DP-LA-HD	3.00
Mounting Bracket	RVP-DP-MB-HD	2.50
Pole Spacer	RVP-DPS1600-HD—DPS2500-HD	1.75
Stainless Cover Plate	RVP-DPCP1600-HD —DPCP2500-HD (Per Set)	Var
Pole Locking Collar	RVP-C48-S	0.50

Poles			Failsafe HD 'V' Frames		Failsafe HD Plough Blades	
Belt Width (mm)	Part No. RVP-	Wt Kg's	Part No RVP-	Wt Kg's	Part No. RVP-	Wt Kg's
1600	DP1600-HD	24.79	DPMF1600HD	68.82	HDDP1600-B	3.37
1800	DP1800-HD	27.05	DPMF1800HD	75.07	HDDP1800-B	3.80
2000	DP2000-HD	29.30	DPMF2000HD	81.31	HDDP2000-B	4.22
2200	DP2200-HD	31.56	DPMF2200HD	87.55	HDDP2200-B	4.64
2400	DP2400-HD	33.81	DPMF2400HD	93.79	HDDP2400-B	5.06
2500	DP2500-HD	34.94	DPMF2500HD	98.90	HDDP2500-B	5.48





Quality  
Endorsed  
Company



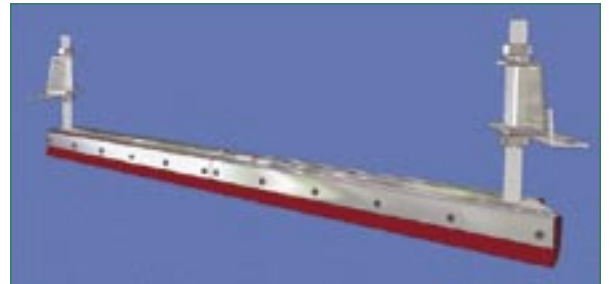
## Product Information Sheet

### Razer Diagonal Ploughs

#### Function

To remove the fugitive material from the return strand of the conveyor belts.

- > To dispose of fugitive product from the belt return strand and prevent it adhering to take up, Head and Tail pulley faces.
- > To deposit all material removed to one side of the conveyor to facilitate ease of cleaning.



#### Advantages

Build up on pulley shells by fugitive material is a major cause for conveyor belt damage, slippage and poor tracking. Effective cleaning of the belt return strand topside by a Razer Diagonal Plough reduces or eliminates this occurrence and reduces conveyor maintenance costs.

- > Razer Industries is a 100% Australian owned and operated company.
- > Floats over the belt cover and requires minimal adjustment throughout the life of the plough blades.
- > Low maintenance costs due to rapid blade change times.
- > Replacement blades are available in kit form as made to measure items requiring no workshop preparation prior to fitting.
- > Can be installed to discharge removed product to either side of the conveyor.
- > Will run effectively on single direction and reversing conveyor belts.

#### Applications

- > Should be mounted before tail pulleys and prior to horizontal or gravity take up mechanisms.



Newcastle

Ph (02) 4967 6077  
Fax (02) 4960 1784

Muswellbrook

Ph (02) 6541 5088  
Fax (02) 6541 5099

Mudgee

Ph (02) 6372 2865  
Fax (02) 6372 2646

Parkes

Ph (02) 6863 4808  
Fax (02) 6863 4809

Orange

Ph (02) 6361 1443  
Fax (02) 6361 1229

Gladstone

Ph (07) 4972 5566  
Fax (07) 4972 6566



Quality  
Endorsed  
Company



Manufactured by  
Razer Industries

**Newcastle**

Ph (02) 4967 6077  
Fax (02) 4960 1784

**Muswellbrook**

Ph (02) 6541 5088  
Fax (02) 6541 5099

**Mudgee**

Ph (02) 6372 2865  
Fax (02) 6372 2646

**Parkes**

Ph (02) 6863 4808  
Fax (02) 6863 4809

**Orange**

Ph (02) 6361 1443  
Fax (02) 6361 1229

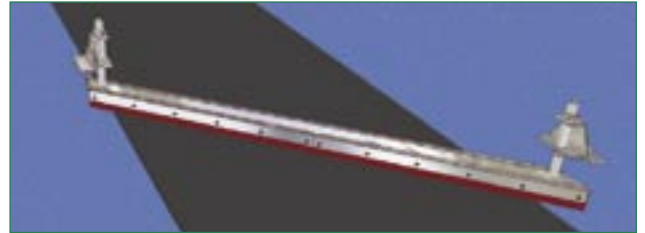
**Gladstone**

Ph (07) 4972 5566  
Fax (07) 4972 6566

## Razer Diagonal Reversing Ploughs

### Stainless Ploughs

- > Razer holds stock of stainless steel standard duty Floating 'V' Ploughs.
- > Delivery of stainless steel 'FailSafe', Heavy Duty Vee Ploughs & Diagonal Reversing Ploughs is subject to manufacturing forward loads but generally not exceeding 15 working days.



### Diagonal Reversing Plough

Belt Width (mm)	Part Number	Wt Kg's
0600—0750	RRP-0600-0750	32.5
0900—1050	RRP-0900-1050	38.0
1200—1500	RRP-1200-1500	57.3
1600—1800	RRP-1600-1800	59.1

Please note:

- > Prices exclude GST.
- > Prices are FOT Warners Bay NSW Australia.
- > Alternative finishes are available by request.





Quality  
Endorsed  
Company



## Product Information Sheet

### Water Control Manifold

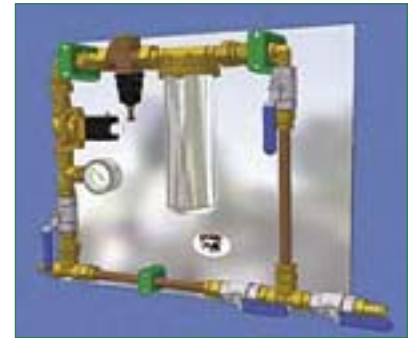
#### Function

To control and filter the water for Spray Pole Belt Cleaners and Razer Spray Bars.

- > Controlling the On/Off condition of sprays relative to belt operation.
- > Controlling the water pressure.
- > Filtering the water to keep the sprays clear.

#### Advantages

- > Razer Industries is 100% Australian owned and operated company.
- > The Razer Industries Control Manifold is completely modular allowing for the maintenance of all components even while the water and the conveyor are running.
- > The unit can be supplied with a Solenoid to match any site electrical requirements.
- > The built in pressure regulator controls water flow rates and pressure.
- > The Water Filtration is down to 150 micron particle size.
- > Is easily connected into the conveyor operating system so that water is applied only when belts are running. Can also be connected through weightometers so that water is applied only when the conveyor is loading.



#### Applications

- > Significantly improves belt cleaner efficiency.
- > Control of water in dust suppression for chutes, transfers and along the run of the conveyor.
- > Control of water when tail spraying the conveyor belt before the loading of product.



Newcastle

Ph (02) 4967 6077  
Fax (02) 4960 1784

Muswellbrook

Ph (02) 6541 5088  
Fax (02) 6541 5099

Mudgee

Ph (02) 6372 2865  
Fax (02) 6372 2646

Parkes

Ph (02) 6863 4808  
Fax (02) 6863 4809

Orange

Ph (02) 6361 1443  
Fax (02) 6361 1229

Gladstone

Ph (07) 4972 5566  
Fax (07) 4972 6566



Quality  
Endorsed  
Company



Manufactured by  
Razer Industries

**Newcastle**

Ph (02) 4967 6077  
Fax (02) 4960 1784

**Muswellbrook**

Ph (02) 6541 5088  
Fax (02) 6541 5099

**Mudgee**

Ph (02) 6372 2865  
Fax (02) 6372 2646

**Parkes**

Ph (02) 6863 4808  
Fax (02) 6863 4809

**Orange**

Ph (02) 6361 1443  
Fax (02) 6361 1229

**Gladstone**

Ph (07) 4972 5566  
Fax (07) 4972 6566

## Water Control Boards

### Water Control Boards

Part No.	Description	Wt Kg's
RWB	Standard In Line Water Control Board	11.88
RWB-BP	Water Control Board with By-Pass System	14.52

Please note:

- > Site Electrical Requirements MUST be noted on all orders for the provision of correct Solenoid.



### Water Control Boards - Spare Parts

Part No.	Description	Wt Kg's
RWC-Sole	Solenoid (Voltage to be nominated)	1.44
RWC-PreRed	Pressure Reducer	1.19
RWC-PreGag	Pressure Gauge	0.20
RWC-Wf	Water Filter (Cartridge Not Included)	1.78
RWC-Wfc	Water Filter Cartridge Fabric	0.11
RWC-Wfc1	Water Filter Cartridge Stainless Steel	0.25
RWC-BP	Stainless Backing Plate	6.91

Please note:

- > All prices exclude GST.
- > Prices are FOT Warners Bay NSW Australia.
- > Alternative finishes are available by request.





Quality  
Endorsed  
Company



## Product Information Sheet

### Spray Bars

#### Function

To apply a spray mist to conveyors and chutes for belt cleaning performance improvement and for dust suppression.

- > Applies water to the belt in an overlapping spray pattern.
- > Spray sizes can be installed which limit the volume of water applied. Generally, approximately 2 litres/minute/spray.



#### Advantages

- > Razer Industries is 100% Australian owned and operated company.
- > Turns a dry belt cleaning system into a wet system at minimal cost.
- > Can be installed at any position on the conveyor.
- > Can be installed in front of conventional cleaners to create effective wet belt cleaning system.
- > Easily maintained without disturbing the adjustment of belt cleaners.
- > Sprays are less subject to blockage than with conventional cleaners where sprays are built into the cleaner pole because they are isolated from the cleaning system and out of the flow of product removed.
- > Significantly less weight to remove from the conveyor. Complete cleaners full of water are much heavier.

#### Applications

- > Improves the performance of dry belt cleaning systems by up to 75% and extends belt life by lubricating the cleaner/belt interface.
- > Can be mounted at any position on the conveyor and used for dust suppression as well as belt cleaning.



Newcastle

Ph (02) 4967 6077  
Fax (02) 4960 1784

Muswellbrook

Ph (02) 6541 5088  
Fax (02) 6541 5099

Mudgee

Ph (02) 6372 2865  
Fax (02) 6372 2646

Parkes

Ph (02) 6863 4808  
Fax (02) 6863 4809

Orange

Ph (02) 6361 1443  
Fax (02) 6361 1229

Gladstone

Ph (07) 4972 5566  
Fax (07) 4972 6566

**Newcastle**

Ph (02) 4967 6077  
Fax (02) 4960 1784

**Muswellbrook**

Ph (02) 6541 5088  
Fax (02) 6541 5099

**Mudgee**

Ph (02) 6372 2865  
Fax (02) 6372 2646

**Parkes**

Ph (02) 6863 4808  
Fax (02) 6863 4809

**Orange**

Ph (02) 6361 1443  
Fax (02) 6361 1229

**Gladstone**

Ph (07) 4972 5566  
Fax (07) 4972 6566

## Spray Bars

### Spray Bars

Belt Width (mm)	Part Number	Bar Length	Wt Kg's
450	RSB-0450	0950	9.92
600	RSB-0600	1000	10.87
750	RSB-0750	1250	10.87
900	RSB-0900	1400	11.37
1050	RSB-1050	1600	12.15
1200	RSB-1200	1800	12.83
1400	RSB-1400	2200	13.60
1600	RSB-1600	2300	14.62
1800	RSB-1800	2500	15.40



Please note:

- > Razer Spray Bars are supplied in grade 304 stainless steel inclusive of angle brackets, clamp blocks and spray jets. Spray Shrouds are manufactured in Polyurethane. Hose Tail and End Plug are 3/4" BSP Brass fittings. Larger sizes available upon request.

### Spray Bars - Spare Parts

Belt Width (mm)	Part No.	Description	Wt Kg's
450	RSB-0500-B	Spray Bar Only to suit 500mm belt	3.98
600	RSB-0600-B	Spray Bar Only to suit 600mm belt	4.83
750	RSB-0750-B	Spray Bar Only to suit 750mm belt	4.83
900	RSB-0900-B	Spray Bar Only to suit 900mm belt	5.33
1050	RSB-1050-B	Spray Bar Only to suit 1050mm belt	6.01
1200	RSB-1200-B	Spray Bar Only to suit 1200mm belt	6.69
1400	RSB-1400-B	Spray Bar Only to suit 1400mm belt	7.36
1600	RSB-1600-B	Spray Bar Only to suit 1600mm belt	8.38
1800	RSB-1800-B	Spray Bar Only to suit 1800mm belt	9.06
	RSB-SJ	Spray Jets (All Sizes)	0.02
	RSB-SS	Spray Shroud (Fits all Jet sizes)	0.02

Please note:

- > Larger Spray Bar sizes available upon request.





Quality  
Endorsed  
Company



## Product Information Sheet

### RazerTrak™ - Belt Trainers

#### Function

The alignment of trough and return conveyor belt strands.

- > RazerTrak™ Conveyor Belt Trainers are a robust device for the correct alignment of conveyor belt.
- > Provide constant adjustment to the belt under loaded and unloaded conditions.
- > Exert a positive tracking influence without belt damage ensuring central loading is achieved.



#### Advantages

Load spillage and central alignment of the conveyor belt at load points is a constant concern to system operators. Lost productivity and introduced safety hazards are the result of poorly aligned belts. The RazerTrak™ Belt Tracking System provides these advantages.

- > All RazerTrak Conveyor Belt Trainers are manufactured 100% from Stainless Steel for long and trouble free life.
- > By both pivoting and tilting, the RazerTrak™ ensures full contact to the belt by all rollers at all times.
- > All RazerTrak™ Trainers feature the RazerTrak™ Swivel in 316 stainless steel and covered by 2 years warranty providing dual protection from contaminants while being fully serviceable.
- > Servo Rollers are fully adjustable and machined from Stainless Steel ensuring long life.
- > Purpose built to accept Customers rollers. No extra inventory stock requirements.
- > All models are designed for the specific application.
- > Extra heavy duty construction.

#### Applications

- > All belt conveyors where tracking of the belt is an important consideration.



Newcastle

Ph (02) 4967 6077  
Fax (02) 4960 1784

Muswellbrook

Ph (02) 6541 5088  
Fax (02) 6541 5099

Mudgee

Ph (02) 6372 2865  
Fax (02) 6372 2646

Parkes

Ph (02) 6863 4808  
Fax (02) 6863 4809

Orange

Ph (02) 6361 1443  
Fax (02) 6361 1229

Gladstone

Ph (07) 4972 5566  
Fax (07) 4972 6566



Quality  
Endorsed  
Company



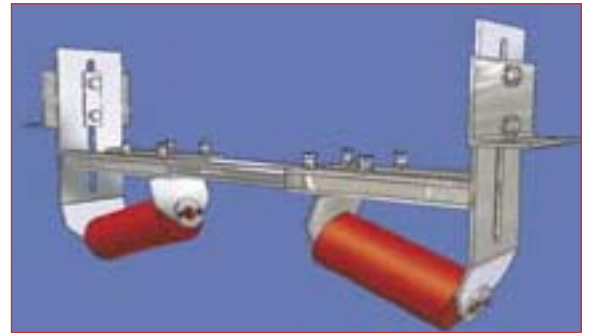
## Product Information Sheet

### TunnelTrak™ Conveyor Belt Trainer

#### Function

For the correct tracking and alignment of conveyor belt on short centered or reversing conveyors.

- > Captures the return strand of the conveyor belt in a "Tunnel" created by the trainer and the existing conveyor return rollers.
- > Ensures the correct alignment of conveyor belt over head and tail pulleys and under load points.



#### Advantages

By ensuring the correct alignment of the conveyor belt on short centered and reversing conveyors, problems of belt edge damage and material spillage at load points is reduced or eliminated. The Razer TunnelTrak™ Belt Trainer also helps to maintain a clean and safe working environment thus reducing the total cost of conveyor systems ownership.

- > Razer Industries is a 100% Australian owned and operated company.
- > Ideal for short centred conveyors where reaction times of conventional trackers is insufficient.
- > Razer TunnelTrak™ Belt Trainers are manufactured from stainless Steel. All bolts and nuts are also 100% Stainless Steel.
- > Razer TunnelTrak™ are designed to multi-fit to a broad range of conveyor widths. Three basic sizes cover all widths from 450mm to 1800mm conveyor belts.
- > Is easily relocated to any point on the conveyor or to other conveyors within the unit size range.
- > Is fitted and adjusted to the conveyor in minutes.

#### Applications

- > Best for process and batching plant conveyors where short centred and or reversing conveyors are used.



Newcastle

Ph (02) 4967 6077  
Fax (02) 4960 1784

Muswellbrook

Ph (02) 6541 5088  
Fax (02) 6541 5099

Mudgee

Ph (02) 6372 2865  
Fax (02) 6372 2646

Parkes

Ph (02) 6863 4808  
Fax (02) 6863 4809

Orange

Ph (02) 6361 1443  
Fax (02) 6361 1229

Gladstone

Ph (07) 4972 5566  
Fax (07) 4972 6566



Quality  
Endorsed  
Company



Manufactured by  
Razer Industries

**Newcastle**

Ph (02) 4967 6077  
Fax (02) 4960 1784

**Muswellbrook**

Ph (02) 6541 5088  
Fax (02) 6541 5099

**Mudgee**

Ph (02) 6372 2865  
Fax (02) 6372 2646

**Parkes**

Ph (02) 6863 4808  
Fax (02) 6863 4809

**Orange**

Ph (02) 6361 1443  
Fax (02) 6361 1229

**Gladstone**

Ph (07) 4972 5566  
Fax (07) 4972 6566

## TunnelTrak™ Inverted Belt Trainers

Belt Width Range (mm)		Part Number
Minimum	Maximum	
450	650	RTT-0450-0650-S
750	1200	RTT-0750-1200-S
1350	1800	RTT-1350-1800-S

## RazerTrak™ Trough & Return Belt Trainers

Belt Width (mm)	Description	Part No.
650	1 ROLL FLAT RETURN	RT650FR
	3 ROLL TROUGH	RT650TR353
750	1 ROLL FLAT RETURN	RT750FR
	3 ROLL TROUGH	RT750TR353
900	1 ROLL FLAT RETURN	RT900FR
	2 ROLL VEE RETURN	RT900VR
	3 ROLL TROUGH	RT900TR353
1000	1 ROLL FLAT RETURN	RT1000FR
	2 ROLL VEE RETURN	RT1000VR
	3 ROLL TROUGH	RT1000TR353
1050	1 ROLL FLAT RETURN	RT1050FR
	2 ROLL VEE RETURN	RT1050VR
	3 ROLL TROUGH	RT1050TR353
1200	1 ROLL FLAT RETURN	RT1200FR
	2 ROLL VEE RETURN	RT1200VR
	3 ROLL TROUGH	RT1200TR353
1400	1 ROLL FLAT RETURN	RT1400FR
	2 ROLL VEE RETURN	RT1400VR
	3 ROLL TROUGH	RT1400TR353
1500	1 ROLL FLAT RETURN	RT1500FR
	2 ROLL VEE RETURN	RT1500VR
	3 ROLL TROUGH	RT1500TR353
1600	1 ROLL FLAT RETURN	RT1600FR
	2 ROLL VEE RETURN	RT1600VR
	3 ROLL TROUGH	RT1600TR353
1800	1 ROLL FLAT RETURN	RT1800FR
	2 ROLL VEE RETURN	RT1800VR
	3 ROLL TROUGH	RT1800TR353

### RazerTrak™ - Spare Parts

Part No.	Description	Wt/Kg
RT-Roller	RazerTrak Servo Roller	3.00
RT-BSR-S	RazerTrak Servo Roller Mounting Bracket	0.89
RT-SWVL-STD	Centre Pivot Bearing	5.87

Please note:

- > All prices exclude GST.
- > All prices are FOT Warners Bay NSW, Australia.
- > Alternative finishes, intermediate sizes, larger sizes, purpose built and hydraulically actuated PLC controlled units are available on request.
- > All RazerTrak and TunnelTrak Belt Trainers are manufactured from Stainless Steel.
- > All RazerTrak Trainers are manufactured to accept customer supplied rollers. Prices quoted exclude belt carry rollers (Trough and/or Return).
- > TunnelTrak Trainers are inclusive of rollers.





Quality  
Endorsed  
Company



Manufactured by  
Razer Industries

## Product Information Sheet

### Razer SG Return Belt Trainers

#### Function

The alignment of return conveyor belt strand.

- > Razer SG Conveyor Belt Trainers are a robust device for the correct alignment of conveyor belt.
- > Provide constant adjustment to the belt under loaded and unloaded conditions.
- > Exert a positive tracking influence without belt damage ensuring central loading is achieved.

#### Advantages

Load spillage and central alignment of the conveyor belt at load points is a constant concern to system operators. Lost productivity and introduced safety hazards are the result of poorly aligned belts. The Razer SG Belt Tracking System provides these advantages.

- > Tracking action is on two plains (XY).
- > Unit not dependant on lagging profile to initiate tracking action.
- > Unit does not required guide rollers to initiate tracking action.
- > All bearings run in an oil bath.
- > The product itself has a 2 year warranty under standard running conditions, excluding the wearing parts such as rubber lagging etc.
- > Average life is 3 to 6 years before reconditioning.
- > Inner unit is sealed against dust by using sealed with O Rings, Double Lip Oil Seals, Felt Seals and Rubber Bellow.
- > Cost effective, only serviceable roller on the market due to the fact that it is built on a module system and can be assembled and disassembled without breaking any high value parts.
- > Refurbished roller will be 45% of the cost of a new roller.

#### Applications

- > All belt conveyors where tracking of the belt is an important consideration.



Newcastle

Ph (02) 4967 6077

Fax (02) 4960 1784

Muswellbrook

Ph (02) 6541 5088

Fax (02) 6541 5099

Mudgee

Ph (02) 6372 2865

Fax (02) 6372 2646

Parkes

Ph (02) 6863 4808

Fax (02) 6863 4809

Orange

Ph (02) 6361 1443

Fax (02) 6361 1229

Gladstone

Ph (07) 4972 5566

Fax (07) 4972 6566



Quality  
Endorsed  
Company



Manufactured by  
Razer Industries

**Newcastle**

Ph (02) 4967 6077  
Fax (02) 4960 1784

**Muswellbrook**

Ph (02) 6541 5088  
Fax (02) 6541 5099

**Mudgee**

Ph (02) 6372 2865  
Fax (02) 6372 2646

**Parkes**

Ph (02) 6863 4808  
Fax (02) 6863 4809

**Orange**

Ph (02) 6361 1443  
Fax (02) 6361 1229

**Gladstone**

Ph (07) 4972 5566  
Fax (07) 4972 6566

## SureGuide Return Belt Trainers

Belt Width (mm)	Description	Part No.	Weight Kg
450	1 ROLL FLAT RETURN	SG45/30	32.30
600	1 ROLL FLAT RETURN	SG60/30	35.43
750	1 ROLL FLAT RETURN	SG75/30	39.83
900 - 1000	1 ROLL FLAT RETURN	SG90/30	44.67
1050	1 ROLL FLAT RETURN	SG105/30	49.28
1200	1 ROLL FLAT RETURN	SG120/30	56.03
1350 - 1400	1 ROLL FLAT RETURN	SG135/40	89.13
1500 - 1600	1 ROLL FLAT RETURN	SG150/40	97.70
1800	1 ROLL FLAT RETURN	SG180/40	110.07

Please note:

- > Prices exclude GST.
- > Prices are FOT Warners Bay NSW Australia.
- > Heavy Duty units are available for 450 - 1200mm belt widths by request.





Quality  
Endorsed  
Company



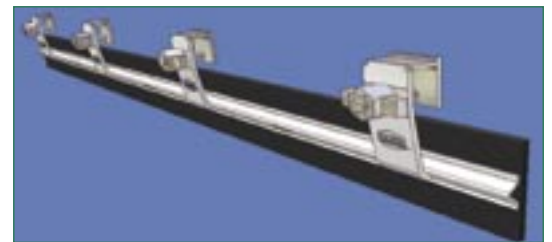
## Product Information Sheet

### Razer SureClamp™ Skirt System

#### Function

To provide an effective means of securing skirting rubber to the throat of the conveyor chute thus enabling a positive seal.

- > Assists in the process of minimising environmentally damaging dust escaping from conveyor transfers points.
- > Positively clamps the rubber skirt seal to the chute throat.



#### Advantages

- > Razer SureClamp™ is manufactured from 100% stainless steel for a long and trouble free life cycle.
- > Can be installed as a complete mechanism as an aid to installation or as separate components in tight fitting applications.
- > Arrives on site pre-assembled and ready for installation.
- > Retains all its safety features even when cut to special lengths.
- > Safety pins installed to ensure that the clamping mechanism will not vibrate loose over time.
- > Acme thread ensures rapid adjustment and prevents thread seizure.
- > Secures all thicknesses of skirt rubber.
- > Can secure all proprietary brands of skirt rubber/polyurethane.

#### Applications

- > All conveyor transfers.



Newcastle

Ph (02) 4967 6077  
Fax (02) 4960 1784

Muswellbrook

Ph (02) 6541 5088  
Fax (02) 6541 5099

Mudgee

Ph (02) 6372 2865  
Fax (02) 6372 2646

Parkes

Ph (02) 6863 4808  
Fax (02) 6863 4809

Orange

Ph (02) 6361 1443  
Fax (02) 6361 1229

Gladstone

Ph (07) 4972 5566  
Fax (07) 4972 6566



Quality  
Endorsed  
Company



Manufactured by  
Razer Industries

**Newcastle**

Ph (02) 4967 6077  
Fax (02) 4960 1784

**Muswellbrook**

Ph (02) 6541 5088  
Fax (02) 6541 5099

**Mudgee**

Ph (02) 6372 2865  
Fax (02) 6372 2646

**Parkes**

Ph (02) 6863 4808  
Fax (02) 6863 4809

**Orange**

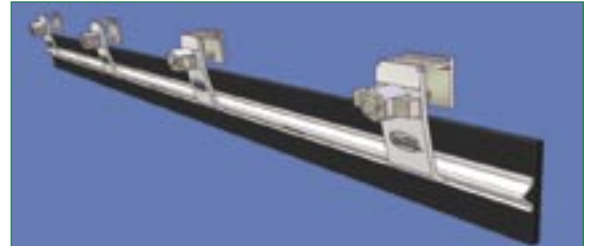
Ph (02) 6361 1443  
Fax (02) 6361 1229

**Gladstone**

Ph (07) 4972 5566  
Fax (07) 4972 6566

## SureClamp™ Skirt Rubber Clamping System

- > All metal components of the SureClamp system are produced from Stainless Steel.
- > Sufficient components are supplied with each kit to secure the sealing rubber of two (2) Lineal meters of conveyor chute throat.
- > Clamping thickness range is 6mm to 25mm.



### Skirt System Complete

Belt Width (mm)	Description	Wt Kg
RSC-2000	SureClamp System Complete (2000mm length)	13.00

### SureClamp™ - Replacement Parts

Item	Description	Part No.	QTY	Wt Kg
1	Clamp Plate	RSC-CP	4	0.9
2	Retaining Nut	RSC-RN	4	0.57
3	Mounting Bracket	RSC-MB	4	0.83
4	Restraint Bar (2000mm length)	RSC-RB	1	3

Please note:

- > Prices exclude GST.
- > Prices are FOT Warners Bay NSW Australia.





Quality  
Endorsed  
Company



## Product Information Sheet

### Razer-Lag™ Natural Grade Pulley Lagging

#### Function

To provide positive drive through friction between the Lagging surface and the bottom cover of the belt.

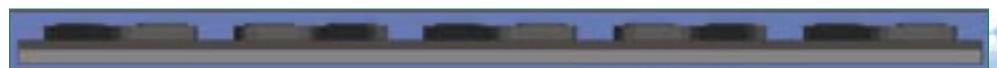
- > To provide positive displacement of water and contaminants so as to maintain high friction values under all conditions.
- > To prevent wear to the metal pulley shell thus increasing pulley life expectancy.
- > To enable easy replacement without removing the pulley from the conveyor.

#### Advantages

- > Provided in 250mm wide strips with an 82mm-repeating pattern for cost-effective installation and pattern matching.
- > The unique block pattern ensures quieter operation and no section "Pull-out" under high torque conditions.
- > A special bonding layer of Neoprene rubber moulded to the back of the Razer-Lag enables higher lagging to pulley bond strength. This also means that abrasion resistance is not compromised to achieve high bond strength.
- > Superior water shedding performance from the Arrowhead Pattern.
- > Precision moulded and press cured ensures consistent dimensional and physical properties. Thickness is typically better than  $\pm 0.25\text{mm}$ .
- > Supplied pre buffed on edges and bonding face for ease of installation and T.I.R. accuracy.

#### Applications

- > On all pulley shells where shell life, water dispersion and/or material build up is a concern.
- > For substantially higher drive friction factors and increased service life in contaminated conditions please refer to our Ceramic Pulley Lagging Information.



Newcastle

Ph (02) 4967 6077  
Fax (02) 4960 1784

Muswellbrook

Ph (02) 6541 5088  
Fax (02) 6541 5099

Mudgee

Ph (02) 6372 2865  
Fax (02) 6372 2646

Parkes

Ph (02) 6863 4808  
Fax (02) 6863 4809

Orange

Ph (02) 6361 1443  
Fax (02) 6361 1229

Gladstone

Ph (07) 4972 5566  
Fax (07) 4972 6566



Quality  
Endorsed  
Company



## Product Information Sheet

### Razer-Lag™ FRAS Grade Pulley Lagging

#### Function

To transfer the maximum drive energy from the conveyor drive to the conveyor belt without slippage.

- > To shed water on drive and non-drive pulleys.
- > To prevent wear on steel pulley shells.
- > To reduce the incidences of material build up on pulley shells which cause belt damage and poor belt tracking.
- > To prevent aquaplaning of belts.



#### Advantages

- > Razer Industries is 100% Australian owned and operated.
- > Meets all the demands of FRAS grade rubber for below ground and confined mining operations.
- > Provided in 250mm wide strips with an 82mm-repeating pattern for cost-effective installation and pattern matching. This pattern is much quieter in service and suffers less section "Pull-Out" under high torque loading.
- > Superior water shedding performance from the Arrowhead Pattern over conventional diamond and herringbone patterns. Water is shed at the belt/pulley interface.
- > Precision moulded and press cured ensures consistent dimensional and physical properties. Thickness is typically better than  $\pm 0.25\text{mm}$  ensuring high tolerances are maintained against T.I.R requirements.
- > Is supplied pre buffed on the bonding face and edges.

#### Applications

- > On all pulley shells where shell life, water dispersion and/or material build up is a concern.
- > For substantially higher drive friction factors and increased service life in contaminated conditions please refer to our Ceramic Pulley Lagging Information.



Newcastle

Ph (02) 4967 6077  
Fax (02) 4960 1784

Muswellbrook

Ph (02) 6541 5088  
Fax (02) 6541 5099

Mudgee

Ph (02) 6372 2865  
Fax (02) 6372 2646

Parkes

Ph (02) 6863 4808  
Fax (02) 6863 4809

Orange

Ph (02) 6361 1443  
Fax (02) 6361 1229

Gladstone

Ph (07) 4972 5566  
Fax (07) 4972 6566



Quality  
Endorsed  
Company



## Product Information Sheet

### Razer-Lag™ PolyLag *On Site - In Situ Polyurethane Pulley Lagging*

#### Function

To provide increased wear life, improved shedding of build up and quieter operation over and above rubber lagging on non drive pulleys.

- > For in-situ installation using conventional lagging methods and materials.
- > Providing superior lagging life; generally 6 to 8 times that of rubber.
- > To prevent wear to the metal pulley shell thus increasing pulley life expectancy.

#### Advantages

- > The Polyurethane wear layer provides abrasion resistance of DIN 35. Typically, rubber is DIN 100.
- > Provided in 250mm wide strips with an 82mm-repeating pattern for cost-effective installation and pattern matching. Razer-Lag PolyLag is supplied in pre-cut strip lengths to suit the pulley face.
- > A special bonding layer of Neoprene rubber moulded to the back of the lagging enables exceptional bond strength with the pulley.
- > Superior water shedding and quieter performance from the Arrowhead Pattern.
- > Precision moulded and press cured ensures consistent dimensional and physical properties. Thickness is typically better than  $\pm 0.25\text{mm}$ .
- > Supplied pre buffed on edges and bonding face for ease of installation and T.I.R. accuracy.

#### Application

- > On all non-drive pulleys where shell life, water dispersion and/or material build up is a concern.
- > For substantially higher drive friction factors and increased service life in contaminated conditions please refer to our Ceramic Pulley Lagging Information.



Newcastle

Ph (02) 4967 6077  
Fax (02) 4960 1784

Muswellbrook

Ph (02) 6541 5088  
Fax (02) 6541 5099

Mudgee

Ph (02) 6372 2865  
Fax (02) 6372 2646

Parkes

Ph (02) 6863 4808  
Fax (02) 6863 4809

Orange

Ph (02) 6361 1443  
Fax (02) 6361 1229

Gladstone

Ph (07) 4972 5566  
Fax (07) 4972 6566



Quality  
Endorsed  
Company



## Product Information Sheet

### PolyLag Vs Rubber Lagging Cost Comparison

Typical Lagging Cost Comparison		
Pulley Face	1550mm	
Pulley Diameter	800mm	
	Cost to Lag	
	Rubber	PolyLag
Lagging	\$526.00	\$2660.00
Metal Primer	\$46.00	\$46.00
Adhesive	\$80.00	\$80.00
Total	\$652.00	\$2786.00
Labour & Consumables (Est)	\$2000.00	\$2000.00

Accumulated Lagging Costs		
1st Time Lagged	\$2652.00	\$4786.00
2nd Time Lagged	\$5304.00	No further lagging required. PolyLag outlasts rubber minimum 6 to 1 times.
3rd Time Lagged	\$7956.00	
4th Time Lagged	\$10608.00	
5th Time Lagged	\$13260.00	
6th Time Lagged	\$15912.00	
<b>Total Costs =</b>	<b>\$15912.00</b>	<b>\$4786.00</b>

#### Other Considerations

Razer's 'PolyLag' is manufactured from Razerthane with a cured Neoprene Rubber backing. Bond strengths achieved are in excess of Hot Vulcanized lagging typically reaching 22 N/mm. Interlamellar bond strengths are typically 18 N/mm.

- > Razerthane is available in 2 hardnesses. Each guaranteed by Razer to outwear Rubber by a minimum of 6 to 1.
- > No consideration is given in the above costs to:
  - Downtime costs of the conveyor which will inevitably exceed the initial lagging cost.
  - Additional O, H&S costs associated with the potential for injury on frequently relagging pulleys.
- > Razerthane will not work harden and is not subject to Ozone cracking.
- > Razerthane assists in shedding of any build-up that may otherwise occur on pulley shells.
- > The Unique Arrowhead pattern disperses water and mud effectively while operating more quietly than conventional Diamond Lagging Patterns.

#### Product Limitations

- > Razer 'PolyLag' is not recommended for Drive Pulleys.



Newcastle

Ph (02) 4967 6077  
Fax (02) 4960 1784

Muswellbrook

Ph (02) 6541 5088  
Fax (02) 6541 5099

Mudgee

Ph (02) 6372 2865  
Fax (02) 6372 2646

Parkes

Ph (02) 6863 4808  
Fax (02) 6863 4809

Orange

Ph (02) 6361 1443  
Fax (02) 6361 1229

Gladstone

Ph (07) 4972 5566  
Fax (07) 4972 6566

**Newcastle**

Ph (02) 4967 6077  
Fax (02) 4960 1784

**Muswellbrook**

Ph (02) 6541 5088  
Fax (02) 6541 5099

**Mudgee**

Ph (02) 6372 2865  
Fax (02) 6372 2646

**Parkes**

Ph (02) 6863 4808  
Fax (02) 6863 4809

**Orange**

Ph (02) 6361 1443  
Fax (02) 6361 1229

**Gladstone**

Ph (07) 4972 5566  
Fax (07) 4972 6566

## Razer Pulley Lagging

Rubber (FRAS & Natural)

Ceramic (FRAS & Natural)

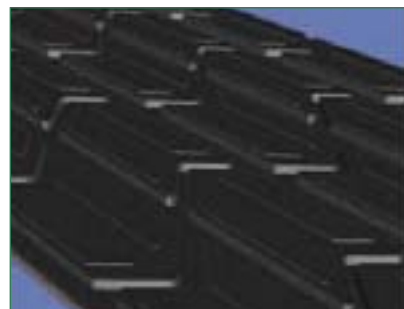
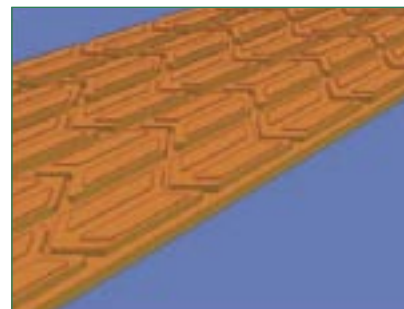
Polyurethane (FRAS & Natural)

E.A.B Ceramic (FRAS & Natural)

	Part No.	Thick	Pattern
Natural Grade CN Backed Lagging Roll Width = 255mm wide	LL-10-Nat-A	10mm	Arrow
	LL-10-Nat-AM	10mm	Arrow
	LL-12-Nat-A	12mm	Arrow
	LL-12-Nat-AM	12mm	Arrow
	LL-12-Nat-P	12mm	Plain
	LL-12-Nat-PM	12mm	Plain
	LL-16-Nat-A	16mm	Arrow
	LL-16-Nat-AM	6mm	Arrow
	LL-20-Nat-A	20mm	Arrow
	LL-20-Nat-AM	20mm	Arrow
FRAS Grade (Fire Resistant Anti Static) CN Backed Lagging Roll Width = 255mm wide	LL-10-FRAS-A	10mm	Arrow
	LL-10-FRAS-AM	10mm	Arrow
	LL-12-FRAS-A	12mm	Arrow
	LL-12-FRAS-AM	12mm	Arrow
	LL-12-FRAS-P	12mm	Plain
	LL-12-FRAS-PM	12mm	Plain
	LL-16-FRAS-A	16mm	Arrow
	LL-16-FRAS-AM	16mm	Arrow
	LL-20-FRAS-A	20mm	Arrow
	LL-20-FRAS-AM	20mm	Arrow
'PolyLag' Neoprene Rubber Backed 255mm Wide Polyurethane Strip Lagging in 80 or 60 Sure A Hardness	Part No.	Strip Length	
	LL-2000-80P	2000mm	
	LL-3000-80P	3000mm	
	LL-3600-80P	3600mm	
	LL-2000-60P	2000mm	
	LL-3000-60P	3000mm	
	LL-3600-60P	3600mm	

Please note:

- > "PolyLag®" in cut to length size is available subject to a normal forward load of 10 working days. However, "PolyLag®" is stocked in strips per above sizes.
- > Prices for unlisted "PolyLag®" Strip lengths, grades and thickness are available upon request.





Quality  
Endorsed  
Company



## Product Information Sheet

### Razer-Lag™ Ceramic Pulley Lagging

#### Function

To provide positive drive between pulley shell and conveyor belt under conditions beyond the capacity of normal rubber lagging.

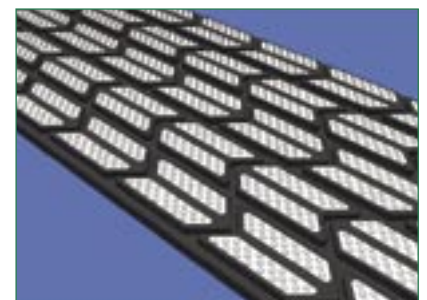
- > To provide high levels of resistance to abrasion.
- > To positively displace water and fugitive material that would otherwise cause belt slip.
- > To protect the pulley shells from wear leading to early failure.
- > To enable ease of installation without the need to remove the pulley from the conveyor.

#### Advantages

- > 250mm wide strips with 82mm-repeating pattern for cost-effective installation and pattern matching.
- > Is available with both FRAS and Natural rubber grades in thicknesses of 10mm, 12mm, 16mm and 20mm.
- > Each ceramic tile is encased by rubber on five sides ensuring superior bond.
- > Significantly improved drive values enable the reductions in take up tensions thus increasing belt and splice life. Lobby-Lag ceramic provides a "Geared Drive" effect to difficult conveyors.
- > Superior water shedding from the Arrowhead Pattern.
- > Supplied pre buffed on both edges and bonding face for ease of installation and accurate T.I.R.
- > Bonding layer of Neoprene rubber ensures superior bond Between pulley shell and lagging. This also means that abrasion resistance is not compromised to achieve high bond.

#### Applications

- > For high wear, high tension, contaminated and/or wet operating environments.
- > For increased conveyor drive efficiency to prevent slip.



Newcastle

Ph (02) 4967 6077  
Fax (02) 4960 1784

Muswellbrook

Ph (02) 6541 5088  
Fax (02) 6541 5099

Mudgee

Ph (02) 6372 2865  
Fax (02) 6372 2646

Parkes

Ph (02) 6863 4808  
Fax (02) 6863 4809

Orange

Ph (02) 6361 1443  
Fax (02) 6361 1229

Gladstone

Ph (07) 4972 5566  
Fax (07) 4972 6566



Quality  
Endorsed  
Company



Manufactured by  
Razer Industries

**Newcastle**

Ph (02) 4967 6077  
Fax (02) 4960 1784

**Muswellbrook**

Ph (02) 6541 5088  
Fax (02) 6541 5099

**Mudgee**

Ph (02) 6372 2865  
Fax (02) 6372 2646

**Parkes**

Ph (02) 6863 4808  
Fax (02) 6863 4809

**Orange**

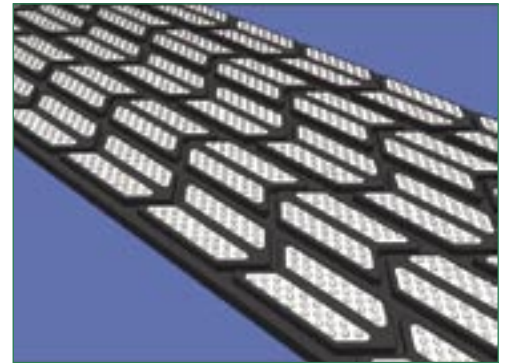
Ph (02) 6361 1443  
Fax (02) 6361 1229

**Gladstone**

Ph (07) 4972 5566  
Fax (07) 4972 6566

## Razer Arrowhead Ceramic Lagging

	Belt Width	Ceramic x Rubber		FRAS Grade Rubber	Natural Grade Rubber
				Part No.	Part No.
Arrowhead Nipple Ceramic Stocked strip lengths Strip width = 255mm	600	620	1200	LLC-600-F	LLC-600-F
	750	780	1350	LLC-750-F	LLC-750
	900	940	1500	LLC-900-F	LLC-900
	1050	1100	1650	LLC-1050-F	LLC-1050
	1200	1200	1800	LLC-1200-F	LLC-1200
	1400	1440	2000	LLC-1400-F	LLC-1400
	1600	1600	2200	LLC-1600-F	LLC-1600
	1800	1850	2400	LLC-1800-F	LLC-1800
	2000	2085	2600	LLC-2000-F	LLC-2000



Please note:

- > All Prices Exclude GST
- > Purpose built strip lengths of both Natural and FRAS Rubber Lagging are available upon request.
- > Percentages of Ceramic to Rubber can be varied to suit drive requirements and cost constraints.
- > All Natural Ceramic is Neoprene backed for better adhesion.

	Belt Width	Ceramic x Rubber		FRAS Grade Rubber	Natural Grade Rubber
				Part No.	Part No.
Arrowhead Nipple Ceramic Non stocked strip lengths Strip width = 255mm	450	450	1050	LLC-450-F	LLC-450
	500	530	1100	LLC-500-F	LLC-500
	800	860	1400	LLC-800-F	LLC-800
	1350	1350	1950	LLC-1350-F	LLC-1350
	1500	1520	2100	LLC-1500-F	LLC-1500
	1700	1750	2300	LLC-1700-F	LLC-1700
	1900	1920	2500	LLC-1900-F	LLC-1900
	2100	2160	2700	LLC-2100-F	LLC-2100
	2200	2250	2800	LLC-2200-F	LLC-2200
	2300	2320	2900	LLC-2300-F	LLC-2300
	2400	2410	3000	LLC-2400-F	LLC-2400
	2500	2570	3100	LLC-2500-F	LLC-2500
	2600	2650	3200	LLC-2600-F	LLC-2600
	2800	2820	3400	LLC-2800-F	LLC-2800
3000	3060	3600	LLC-3000-F	LLC-3000	





Quality  
Endorsed  
Company



Manufactured by  
Razer Industries

**Newcastle**

Ph (02) 4967 6077  
Fax (02) 4960 1784

**Muswellbrook**

Ph (02) 6541 5088  
Fax (02) 6541 5099

**Mudgee**

Ph (02) 6372 2865  
Fax (02) 6372 2646

**Parkes**

Ph (02) 6863 4808  
Fax (02) 6863 4809

**Orange**

Ph (02) 6361 1443  
Fax (02) 6361 1229

**Gladstone**

Ph (07) 4972 5566  
Fax (07) 4972 6566

## Razer E.A.B Ceramic Lagging

	Belt Width	Ceramic x Rubber		FRAS Grade Rubber	Natural Grade Rubber
				Part No.	Part No.
E.A.B Plain and Dimple Ceramic Stocked strip lengths Strip width = 255mm	600	620	1000	LLC-600-EAB-F	LLC-600-EAB
	750	780	1150	LLC-750-EAB-F	LLC-750-EAB
	900	940	1300	LLC-900-EAB-F	LLC-900-EAB
	1050	1100	1450	LLC-1050-EAB-F	LLC-1050-EAB
	1200	1200	1600	LLC-1200-EAB-F	LLC-1200-EAB
	1400	1440	1900	LLC-1400-EAB-F	LLC-1400-EAB
	1600	1600	2100	LLC-1600-EAB-F	LLC-1600-EAB
	1800	1850	2300	LLC-1800-EAB-F	LLC-1800-EAB
	2000	2085	2500	LLC-2000-EAB-F	LLC-2000-EAB

	Belt Width	Ceramic x Rubber		FRAS Grade Rubber	Natural Grade Rubber
				Part No.	Part No.
E.A.B Plain and Dimple Ceramic Non stocked strip lengths Strip width = 255mm	450	460	860	LLC-450-EAB-F	LLC-450-EAB
	500	500	900	LLC-500-EAB-F	LLC-500-EAB
	800	800	1200	LLC-800-EAB-F	LLC-800-EAB
	1350	1360	1800	LLC-1350-EAB-F	LLC-1350-EAB
	1500	1520	2000	LLC-1500-EAB-F	LLC-1500-EAB
	1700	1700	2200	LLC-1700-EAB-F	LLC-1700-EAB
	1900	1900	2400	LLC-1900-EAB-F	LLC-1900-EAB
	2100	2100	2600	LLC-2100-EAB-F	LLC-2100-EAB
	2200	2200	2700	LLC-2200-EAB-F	LLC-2200-EAB
	2300	2300	2800	LLC-2300-EAB-F	LLC-2300-EAB
	2400	2400	2900	LLC-2400-EAB-F	LLC-2400-EAB
	2500	2500	3000	LLC-2500-EAB-F	LLC-2500-EAB
	2600	2600	3000	LLC-2600-EAB-F	LLC-2600-EAB
	2800	2800	3300	LLC-2800-EAB-F	LLC-2800-EAB
	3000	3000	3300	LLC-3000-EAB-F	LLC-3000-EAB

Please note:

- > Plain and Dimple Ceramic are the same price. Please mark any orders clearly where plain is required.
- > EAB Style is only available in 12mm thickness.

### Razer Lagging Strip Selection Chart

Min Dia	Max Dia	No Strips	Min Dia	Max Dia	No Strips
151	162	2	812	892	11
163	243	3	893	974	12
244	324	4	975	1055	13
325	405	5	1056	1136	14
406	487	6	1137	1217	15
488	568	7	1218	1298	16
569	649	8	1299	1380	17
650	730	9	1381	1461	18
731	811	10	1462	1542	19

Razer Lagging is manufactured in 255mm wide strips. The table includes data as a guide to the quantities of strips required for a specific pulley diameter.



## Nilos Product Information Sheet

### Chute Impact Aprons



Part No.: T 1400 (Tooth Profile)

Part No.: T 1401 (Flat Profile)



- > NILOS® - impact aprons are produced in a special toothed profile.
- > The toothed profile allows the bulk materials being transported to be held and thus forms an excellent wearresistant layer in the open spaces from the material itself.
- > Flat Profile Aprons are also available.
- > NILOS® - impact aprons can be produced in any size and are interchangeable for the middle zone area.
- > The impact apron can be applied without any problems to any type of chute wall, etc., by means of a simple holder.



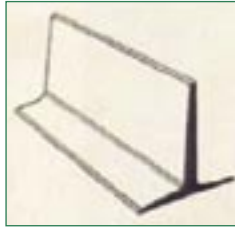
## Nilos Product Information Sheet

### Cleats and Side Walls



#### Rubber Grades Available

Part No.	Cleat Height
T35	35mm
T55	55mm
T75	75mm
T90	90mm
T110	110mm



- > Standard Quality.
- > Oil and Grease Resistant.
- > Heat Resistant to 90° C.



#### Rubber Grades Available

Part No.	Cleat Height
C35	35mm
C55	55mm
C75	75mm
C90	90mm
C110	110mm



- > Standard Quality.
- > Standard Quality with Fabric Reinforcement.
- > Oil and Grease Resistant.
- > Heat Resistant to 90° C.

#### Rubber Grades Available

Part No.	Cleat Height
TC75	75mm
TC90	90mm
TC110	110mm
TC140	140mm
TC160	160mm
TC180	180mm



- > Standard Quality.
- > Standard Quality with Fabric Reinforcement.
- > Oil and Grease Resistant.
- > Heat Resistant to 90° C.





Quality  
Endorsed  
Company



Manufactured by  
Razer Industries

## Nilos Product Information Sheet

### Side Walls



#### Rubber Grades Available

Part No.	Height
K40	40mm
K60	60mm
K80	80mm
K100	100mm

- > Extra Wear Resistant Quality.
- > Oil and Grease Resistant Quality.



#### Rubber Grades Available

Part No.	Height
KS120	120mm
KS140	140mm
KS160	160mm
KS180	180mm
KS200	200mm

- > Standard Quality.
- > Standard Quality with Fabric Reinforcement.
- > Oil and Grease Resistant Quality.

Other sizes, designs and prices are available upon request.



Newcastle

Ph (02) 4967 6077  
Fax (02) 4960 1784

Muswellbrook

Ph (02) 6541 5088  
Fax (02) 6541 5099

Mudgee

Ph (02) 6372 2865  
Fax (02) 6372 2646

Parkes

Ph (02) 6863 4808  
Fax (02) 6863 4809

Orange

Ph (02) 6361 1443  
Fax (02) 6361 1229

Gladstone

Ph (07) 4972 5566  
Fax (07) 4972 6566



Quality  
Endorsed  
Company



Manufactured by  
Razer Industries

## Nilos Product Information Sheet

### Belt End Clamps



#### Automatic Belt Clamping System Type FECON



- > Automatic closing in case of failure of electrics, hydraulic failure or even operator error.
- > The initial position of the clamp is a closed (clamped) position.
- > Quickest closing speed.
- > Controlled and precise regulation of a sliding belt is possible.
- > Modular construction.



Newcastle

Ph (02) 4967 6077  
Fax (02) 4960 1784

Muswellbrook

Ph (02) 6541 5088  
Fax (02) 6541 5099

Mudgee

Ph (02) 6372 2865  
Fax (02) 6372 2646

Parkes

Ph (02) 6863 4808  
Fax (02) 6863 4809

Orange

Ph (02) 6361 1443  
Fax (02) 6361 1229

Gladstone

Ph (07) 4972 5566  
Fax (07) 4972 6566



Quality  
Endorsed  
Company



## Nilos Product Information Sheet

### Small and Portable Conveyors



- > NILOS® - supplies conveyor units tailored to individual customer requests.
- > Mobile and Stationary conveyors of all types are available.
- > Complete solutions related to the customers particular operations can be provided on request.



Newcastle

Ph (02) 4967 6077  
Fax (02) 4960 1784

Muswellbrook

Ph (02) 6541 5088  
Fax (02) 6541 5099

Mudgee

Ph (02) 6372 2865  
Fax (02) 6372 2646

Parkes

Ph (02) 6863 4808  
Fax (02) 6863 4809

Orange

Ph (02) 6361 1443  
Fax (02) 6361 1229

Gladstone

Ph (07) 4972 5566  
Fax (07) 4972 6566



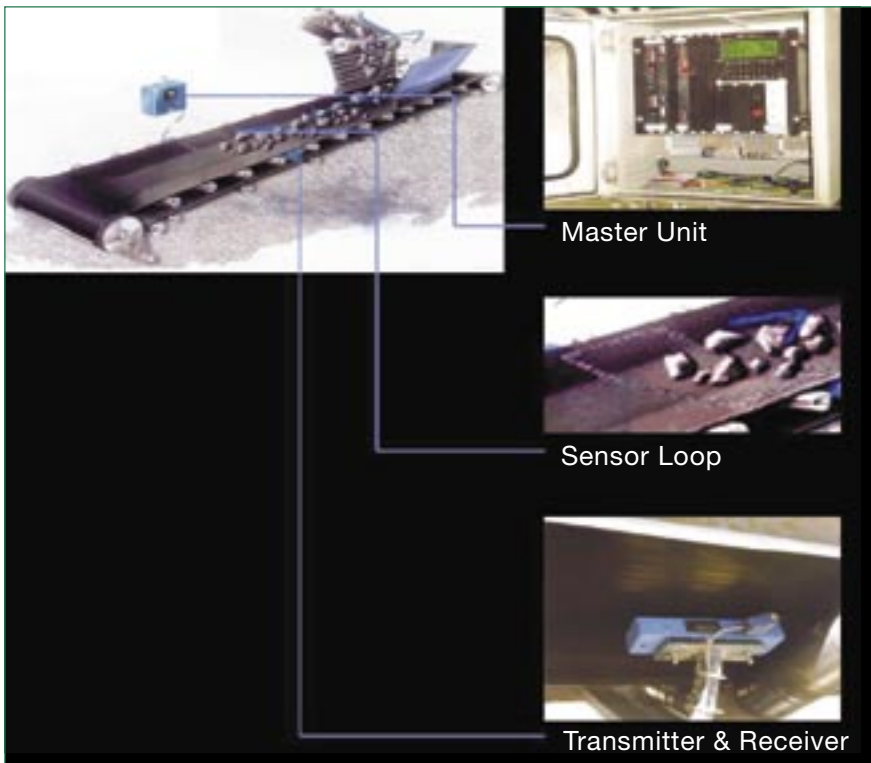
Quality  
Endorsed  
Company



Manufactured by  
Razer Industries

## Nilos Product Information Sheet

### Belt Rip Detection



- > The NILOS® belt rip detection system prevents damage to your conveyor belt by switching off the unit in the shortest possible time if a rip occurs. This not only secures your investment, but also assures your productivity.



Newcastle

Ph (02) 4967 6077  
Fax (02) 4960 1784

Muswellbrook

Ph (02) 6541 5088  
Fax (02) 6541 5099

Mudgee

Ph (02) 6372 2865  
Fax (02) 6372 2646

Parkes

Ph (02) 6863 4808  
Fax (02) 6863 4809

Orange

Ph (02) 6361 1443  
Fax (02) 6361 1229

Gladstone

Ph (07) 4972 5566  
Fax (07) 4972 6566